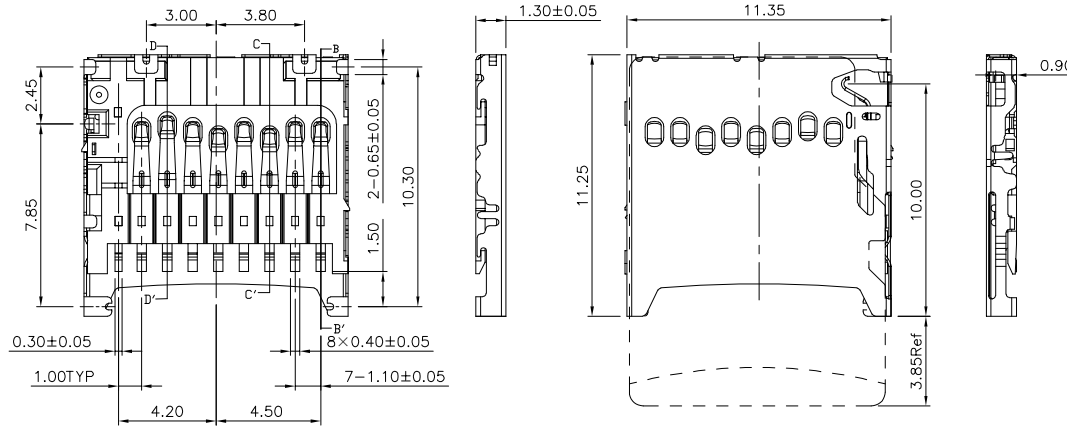


RoHS Compliant

REVISIONS			
REV.	DESCRIPTION	DATE	DESIGN

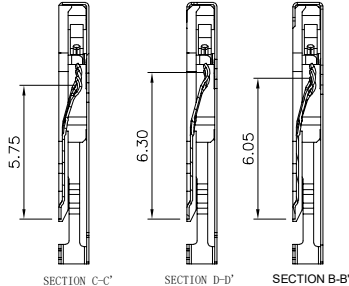
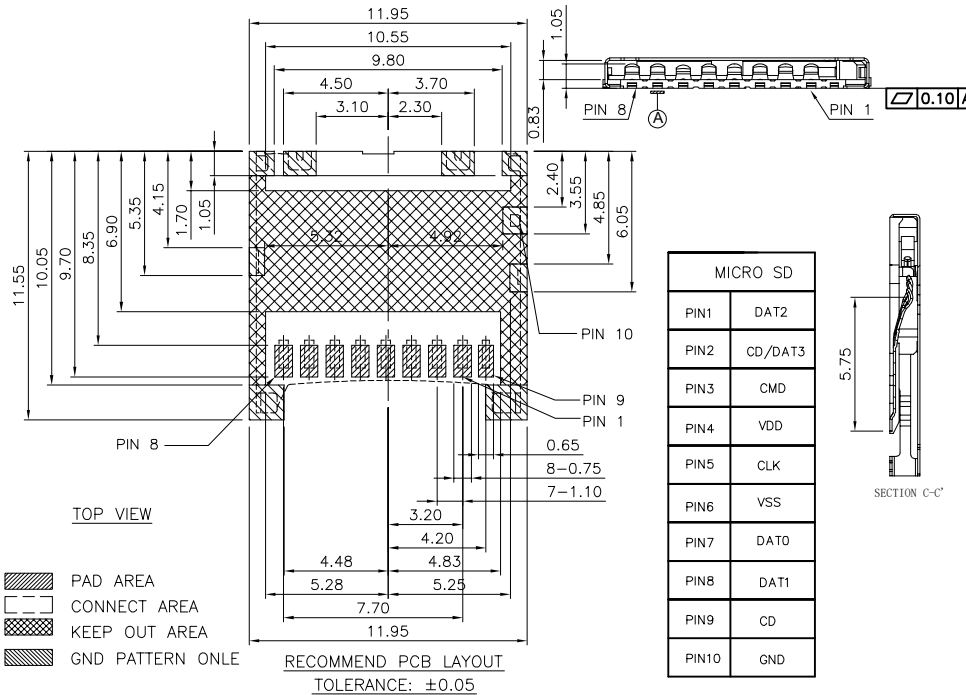
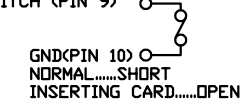


MATERIALS

1. HOUSING :LCP BLACK, (UL 94V-0).
2. TERMINAL : C5210R-SH,T=0.10±0.01mm,Ni 30u",Au 1u"
3. SHELL : 304-1/2H,T=0.10±0.01mm,Ni 50u",Au 1u"
3. DETECT PIN:SUS301-1/2H,Ni 50u",Au 1u"

SPECIFICATION

1. CURRENT RATING : 0.5 A. MAX.
2. DIELECTRIC WITHSTANDING VOLTAGE : 500V AC R.M.S. FOR 1 MINUTE.
3. INSULATION RESISTANCE : 1000MΩ MIN.AT 500V DC.
4. CONTACT RESISTANCE : 100mΩ MAX.
5. OPERATING LIFE: 3000 CYCLES.
6. Salt condition for 48hours.
7. OPERATING TEMPERATURE : -40°C TO +85°C.
8. CIRCUIT DIAGRAM FOR CARD DETECT SWITCH



PART NO. INFORMATION

TFWF - 09 X X 5 R - 003

- 09:09P
- CONTACT PLATED
- 1: GOLD FLASH
- 2: GOLD 3U"
- 3: GOLD 5U"
- 4: GOLD 10U"
- 5: GOLD 15U"
- 6: GOLD 30U"
- PACKAGE R: TAPE REEL
- HOUSING COLOR
- 2: WHITE
- 5: BLACK
- 9: NATURE
- HOUSING MATERIAL
- A: LCP B: PBT
- C: PA9T D: PA6T
- E: PA46 F: PA66

Bestcreate Technology Limited

TOLERANCES UNLESS OTHERWISE SPECIFIED:

.X	±	0.35	X.'	±	5'
.XX	±	0.25	.X'	±	2'
.XXX	±	0.15	.XX'	±	1'

DESIGN: I. L DATE: 2017.3.1

CHECKED: C. W DATE: 2017.3.1

APPROVED: C. W DATE: 2017.3.1

TITLE: T-FLASH CARD 1.3H

MATERIAL: FINSH: PART NO: TFWF-09XX5R-003 SIZE: A4

DWG NO: TFWF-09XX5R-003 1 OF 2

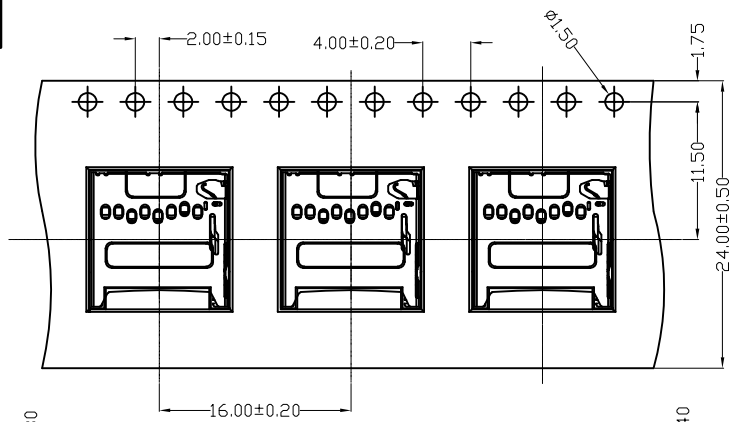
REV: A UNIT: mm SCALE: 1=1 QUALITY SYMBOLS

Website: www.bsc-elec.com Email: bestcreate@bsc-elec.com

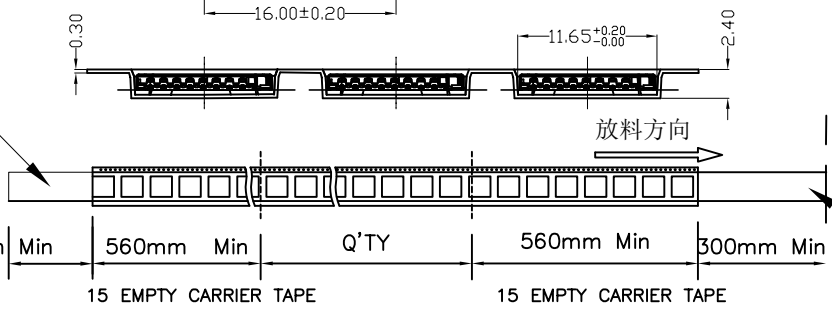
RoHS Compliant

REVISIONS			
REV.	DESCRIPTION	DATE	DESIGN

<图一>



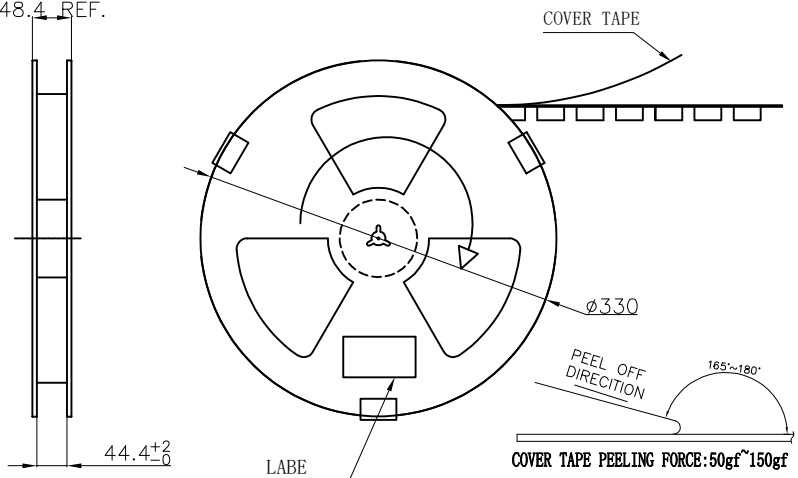
COVER TAPE



<图二>

15 EMPTY CARRIER TAPE 15 EMPTY CARRIER TAPE

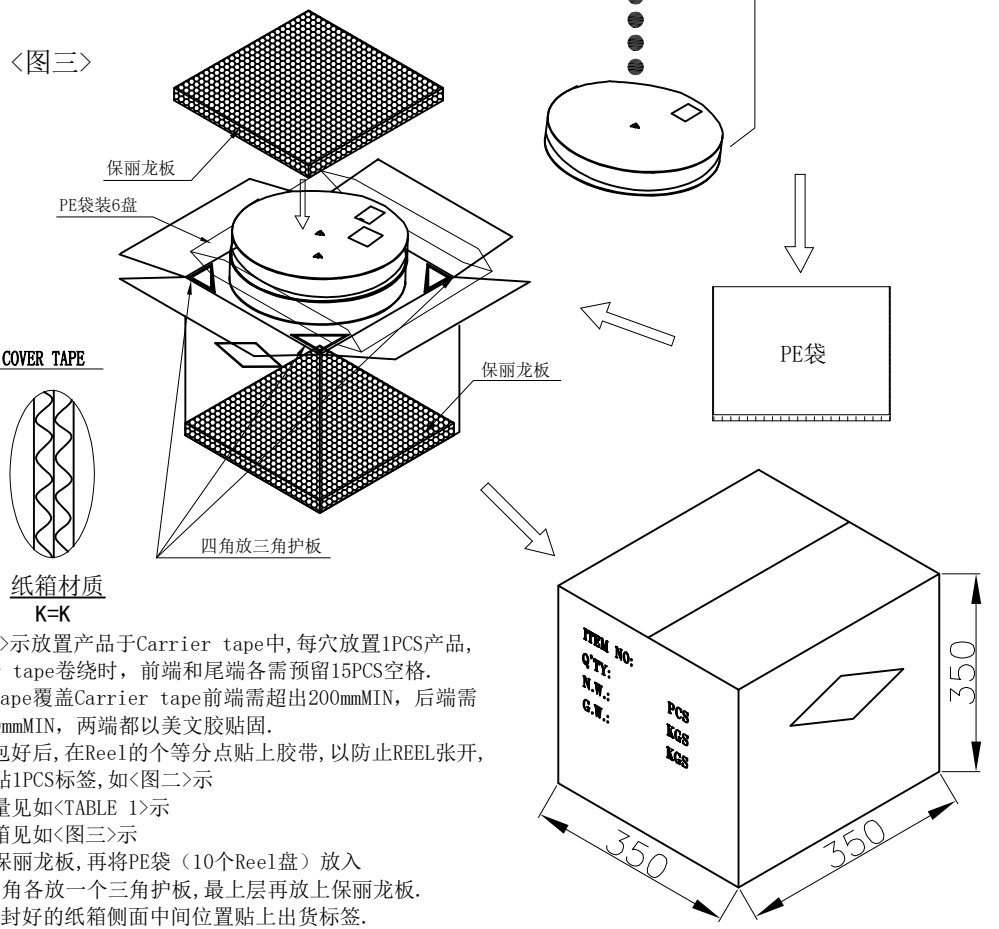
48.4 REF.



<TABLE 1> PACKAGING QUANTITY

QTY/REEL	REEL/CARTON	QTY/CARTON
1500	10	15000

<图三>



纸箱材质 K=K

- 备注:
- 依<图一>示放置产品于Carrier tape中, 每穴放置1PCS产品, Carrier tape卷绕时, 前端和尾端各需预留15PCS空格.
 - Cover tape覆盖Carrier tape前端需超出200mmMIN, 后端需留出300mmMIN, 两端都以美文胶贴固.
 - 包装机包好后, 在Reel的个等分点贴上胶带, 以防止REEL张开, 每Reel贴1PCS标签, 如<图二>示
 - 包装数量见如<TABLE 1>示
 - 包装成箱见如<图三>示
箱底放保丽龙板, 再将PE袋(10个Reel盘)放入箱内, 四角各放一个三角护板, 最上层再放上保丽龙板.
 - 封箱, 在封好的纸箱侧面中间位置贴上出货标签.

Bestcreate Technology Limited

TOLERANCES UNLESS OTHERWISE SPECIFIED:			
.X	± 0.35	.X'	± 5'
.XX	± 0.25	.X'	± 2'
.XXX	± 0.15	.X'	± 1'

Website: www.bsc-elec.com
Email: bestcreate@bsc-elec.com

DESIGN:	I. L	DATE:	2017. 3. 1
CHECKED:	C. W	DATE:	2017. 3. 1
APPROVED:	C. W	DATE:	2017. 3. 1

TITLE:			T-FLASH CARD 1. 3H
MATERILA:	PART NO:	TFWF-09XX5R-003	SIZE: A4
FINSH:	DWG NO:	TFWF-09XX5R-003	2 OF 2

REV:	A	UNIT:	mm	SCALE:	1=1	QUALITY SYMBOLS:	
------	---	-------	----	--------	-----	------------------	--