

RoHS Compliant

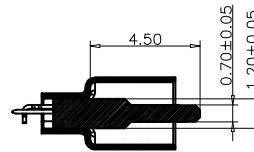
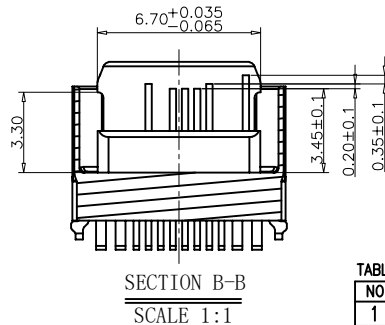
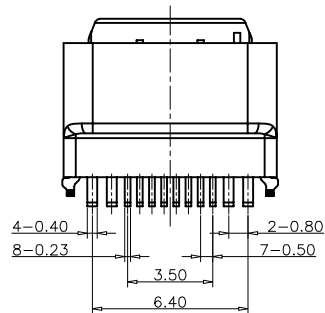
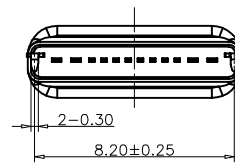
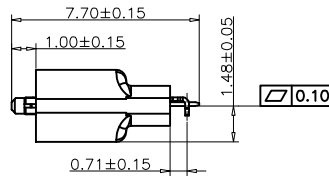
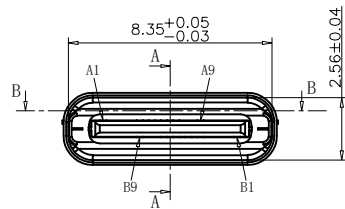
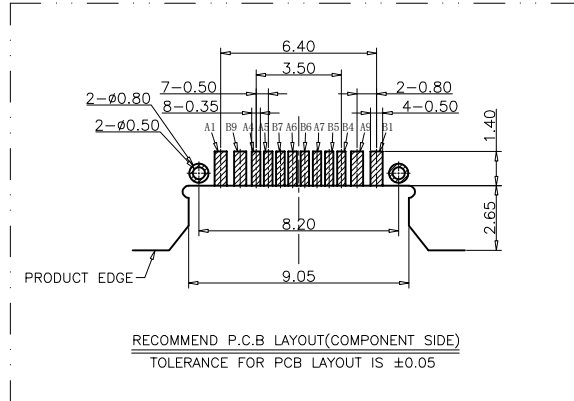
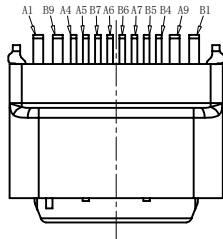


TABLE:

NO	PART	Q'TY	Material
1	SHELL	1	STAINLESS STEEL,Ni PLATED 30u"Min
2	CONTACT	12	COPPER STEEL,Ni 50u"Min;Au u"
3	MID PLATE	1	STAINLESS STEEL,NO PLATING
4	MD HOUSING	1	HIGH TEMPERATURE RESISTANT PLASTIC BLACK UL94 V-0

REVISIONS			
REV.	DESCRIPTION	DATE	DESIGN

NOTE:

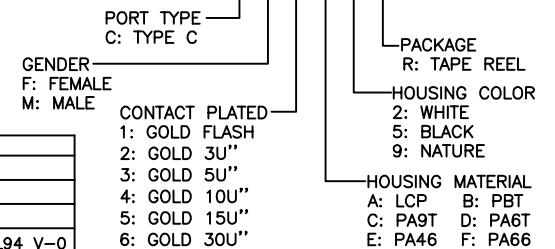
- ELECTRICAL:
 - CONTACT: CONTACT RESISTANCE 40mΩ Max, 10mΩ LESS OR MORE IS ALLOWED.
TEST CONDITION: 20mv, 100mA .
 - CURRENT ON CONTACT: 3A VBUS PIN-OUT; 1.25A FOR GND ; 0.25A FOR OTHERS.
 - RATED VOLTAGE: 30V.
 - WITHSTAND VOLTAGE: 100VR.M.S.
 - INSULATION RESISTANCE: AT LEAST 100megohm .
- MECHANICAL:
 - MATING FORCE: 0.51-2.04Kg
 - UNMATING FORCE: 0.82-2.04Kg
 - DURABLENESS: 0.61-2.04Kg
 - LIFETIME: 10000 TIMES.
- WORKING TEMPERATURE: -20°C to +85°C.

USB TYPE C PIN ASSIGNMENTS

PIN NUMBER	SIGNAL NAME	PIN NUMBER	SIGNAL NAME
A1	GND	B9	VBUS
A4	VBUS	B7	Dn2
A5	CC1	B6	Dp2
A6	Dp1	B5	CC2
A7	Dn1	B4	VBUS
A9	VBUS	B1	GND

PART NO. INFORMATION

U06-C F X X 5 R - W085



Bestcreate Technology Limited

TOLERANCES UNLESS OTHERWISE SPECIFIED:

.XX	± 0.20	.X'	± 5'
.XX	± 0.15	.X''	± 2'
.XXX	± 0.10	.XX'	± 1'

Website: www.bsc-elec.com
Email: bestcreate@bsc-elec.com

DESIGN: I. L DATE:

CHECKED: C. W DATE:

APPROVED: C. W DATE:

TITLE: IPX7 12P USB TYPE C FEMALE CONNECTOR SMT TYPE, L=7.6MM

MATERILA: PART NO: U06-CFXX5R-W085 SIZE: A4

FINSH: DWG NO: U06-CFXX5R-W085

REV: A UNIT mm SCALE 1=1 QUALITY SYMBOLS