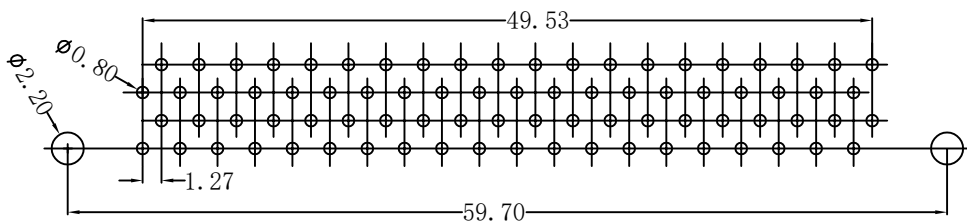
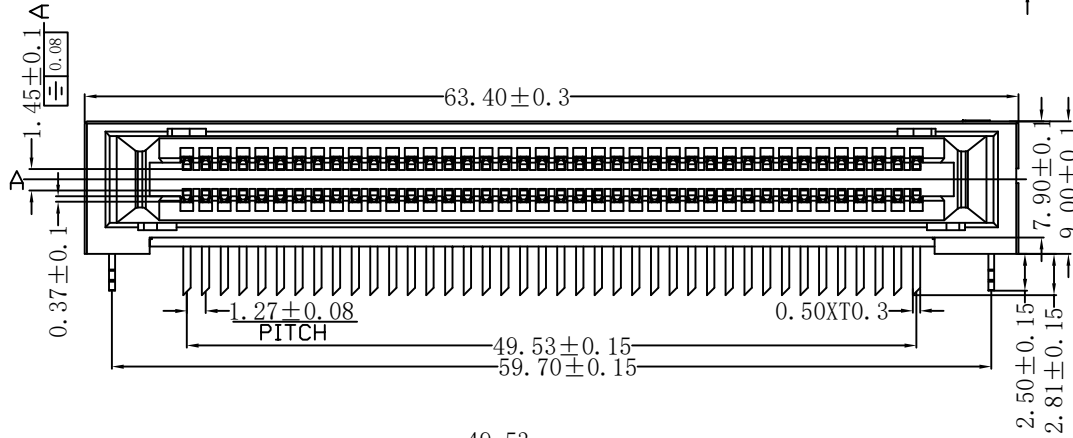
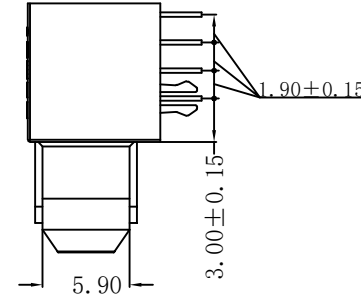
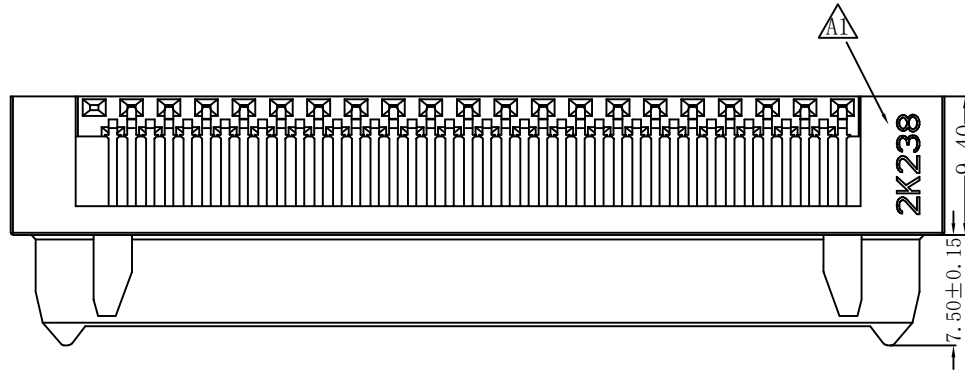


RoHS Compliant

REVISIONS			
REV.	DESCRIPTION	DATE	DESIGN



端子:3A/3B/1C

- 原材料:Raw material:
1. 塑胶:Plastic cement: PBT Black
 2. 端子>Contact:Copper Alloy C5210
 3. 卡钩:Hook: Copper Alloy C5210
- 电镀:Electroplate:
1. 端子>Contact: Plated Gold 4u" in Mating Area; Tin On Solder Talls
 2. 卡钩:Hook: Tin Plating

Bestcreate Technology Limited

TOLERANCES UNLESS OTHERWISE SPECIFIED:			
.X	± 0.30	X'	± 3'
.XX	± 0.25	.X'	± 2'
.XXX	± 0.15	.XX'	± 1'

Website:www.bsc-elec.com
Email:bestcreate@bsc-elec.com

DESIGN:	DATE:
I. L	2017. 3. 1
CHECKED:	DATE:
C. W	2017. 3. 1
APPROVED:	DATE:
C. W	2017. 3. 1

TITLE:		
80P 1.27MM 80P SCSI MALE CONNECTOR TX24A REPLACEMENT OF TX24A-80R-LT-H1E 80P		
MATERILA:	PART NO:	SIZE:
	F0SCSI-TX24A	A4
FINSH:	DWG NO:	
	F80SCSI-TX24A	

REV: A	UNIT mm	SCALE 1=1	QUALITY SYMBOLS
--------	---------	-----------	-----------------