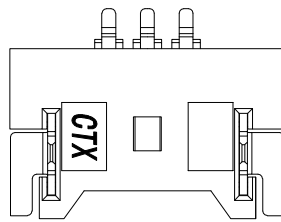
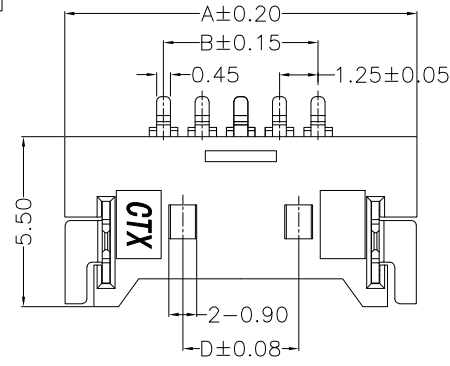
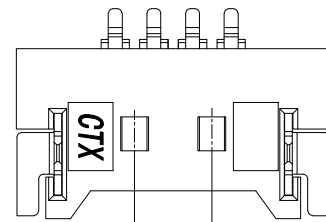


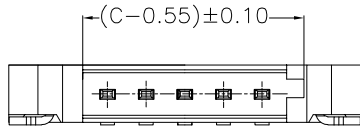
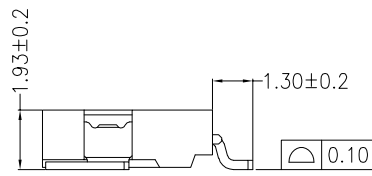
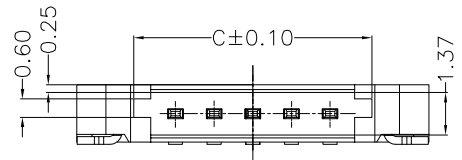
RoHS Compliant



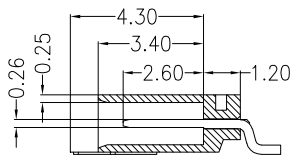
2-3P



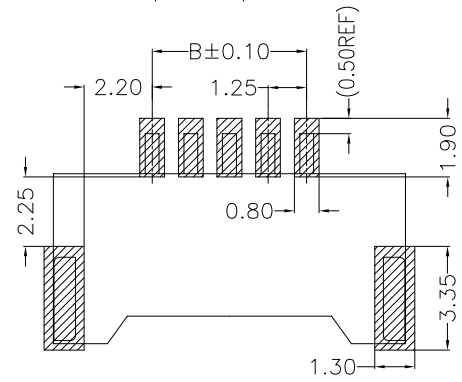
4-14P



Fool proof specifications



SECTION: X-X



RECOMMEND PCB LAYOUT
Tolerance: ±0.10

REVISIONS			
REV.	DESCRIPTION	DATE	DESIGN

CKT.	A	B	C	D
2	7.65	1.25	3.95	
3	8.90	2.50	5.20	
4	10.15	3.75	6.45	2.50
5	11.40	5.00	7.70	3.75
6	12.65	6.25	8.95	5.00
7	13.90	7.50	10.20	6.25
8	15.15	8.75	11.45	7.50
9	16.40	10.00	12.70	8.75
10	17.65	11.25	13.95	10.00
11	18.90	12.50	15.20	11.25
12	20.15	13.75	16.45	12.50
13	21.40	15.00	17.70	13.75
14	22.65	16.25	18.95	15.00

NOTES:
 1.MATERIAL:
 1.1 HOUSING:THERMOPLASTIC,HIGH TEMP.,UL94V-0
 1.2 CONTACT:COPPER ALLOY
 1.3 NAIL:COPPER ALLOY
 2.FINISH:
 2.1 TERMINAL
 CONTACT:THE THICKNESS OF GOLD PLATING IS ACCORDING TO THE MATERIAL NUMBER
 SOLDERING:50u"MIN.NICKEL UNDERPLATING OVERALL. GOLD FLASH PLATING.
 2.2 PAD
 ELECTROPLATING SPECIFICATION ACCORDING TO THE MATERIAL NUMBER
 3.PART NUMBER
 WTB1A19XD-XXXRA-XOXXR
 M:PAD MATTE-TIN
 G:PAD GOLD FLASH PLATING.
 D:FOOL-PROOF
 002: 2Pin
 014: 14Pin
 A0: GOLD FLASH PLATING.
 A1: 1u"GOLD FLASH PLATING.
 A3: 3u"GOLD FLASH PLATING.
 AC: 15u"GOLD FLASH PLATING.
 N: NATURAL COLOR
 B: BLACK COLOR

Bestcreate Technology Limited

TOLERANCES UNLESS OTHERWISE SPECIFIED:

.X	± 0.25	.X'	± 3'
.XX	± 0.20	.X'	± 2'
.XXX	± 0.15	.XX'	± 1'

Website:www.bsc-elec.com
 Email:bestcreate@bsc-elec.com

DESIGN: I.L
 DATE: 2017.3.1

CHECKED: C.W
 DATE: 2017.3.1

APPROVED: C.W
 DATE: 2017.3.1

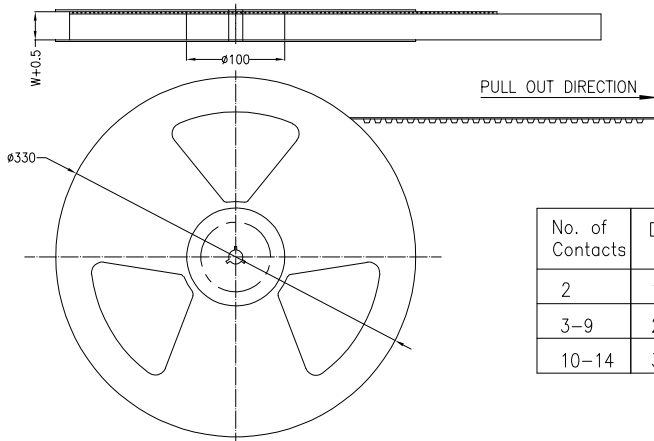
TITLE: **1.25 mm R/A WTB CONN.**
SMT R/A S/R TYPE

MATERIAL:	PART NO: WTB1A19XX-XXXRA-XOXXR	SIZE: A4
FINISH:	DWG NO: WTB1A19XX-XXXRA-XOXXR	SHEE: 1 OF 2

REV: A	UNIT: mm	SCALE: 1=1	QUALITY SYMBOLS
--------	----------	------------	-----------------

RoHS Compliant

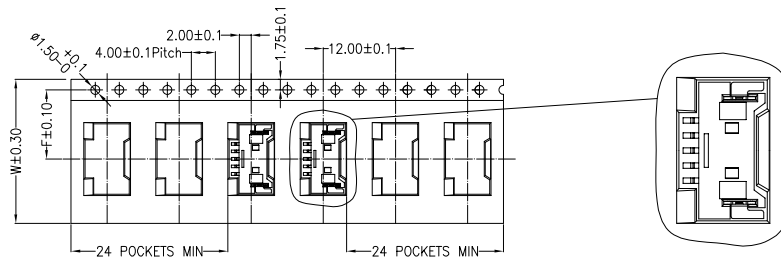
REVISIONS			
REV.	DESCRIPTION	DATE	DESIGN



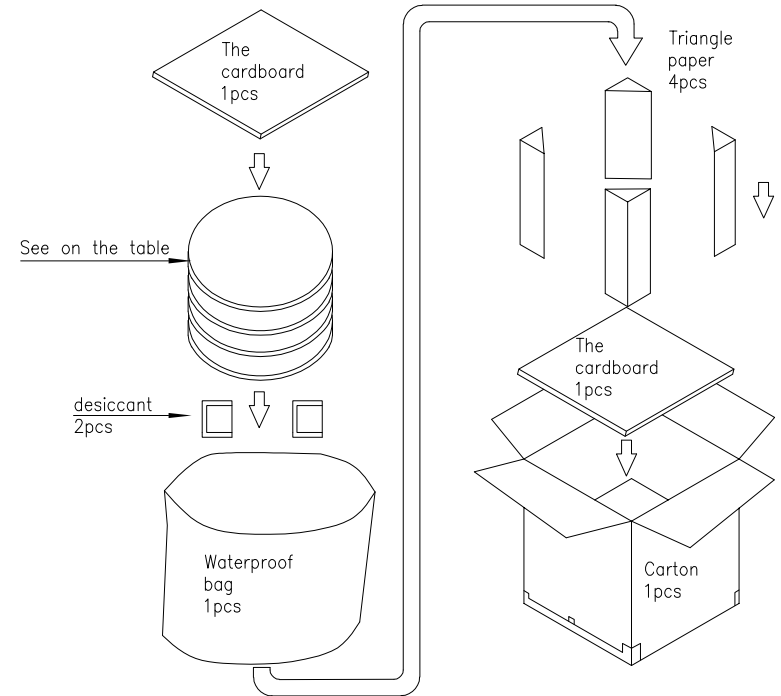
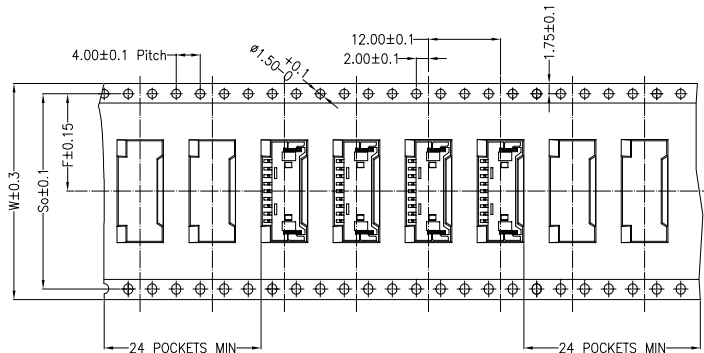
No. of Contacts	DIM. W	DIM. F	DIM. So	Reels / Carton
2	16.0	7.5	—	15
3-9	24.0	11.5	—	10
10-14	32.0	14.2	28.4	8

Note:

- 1.10 sprocket hole pitch cumulative tolerance ± 0.2
2. Carrier camber is within 1 mm in 250mm.
3. Material: transparent Conductive Polystyrene Alloy 100% recyclable.
4. All dimensions meet EIA-481-B requirements.
5. Thickness: 0.30 ± 0.05 mm.
6. Component load per 13" reel: 2000 pcs.
7. The following specifications are shown in the table below
8. Carton Size: 350x350x340mm



PULL OUT DIRECTION



Bestcreate Technology Limited

TOLERANCES UNLESS OTHERWISE SPECIFIED:

.X	± 0.25	.X'	$\pm 3'$
.XX	± 0.20	.X''	$\pm 2'$
.XXX	± 0.15	.XX''	$\pm 1'$

Website: www.bsc-elec.com
Email: bestcreate@bsc-elec.com

DESIGN: I. L
CHECKED: C. W
APPROVED: C. W
DATE: 2017. 3. 1
DATE: 2017. 3. 1
DATE: 2017. 3. 1

TITLE: **1.25 mm R/A WTB CONN.**
SMT R/A S/R TYPE

MATERIAL:	PART NO: WTB1A19XX-XXXRA-XOXXR	SIZE: A4
FINISH:	DWG NO: WTB1A19XX-XXXRA-XOXXR	SHEET: 2 OF 2

REV: A UNIT: mm SCALE: 1=1 QUALITY SYMBOLS: