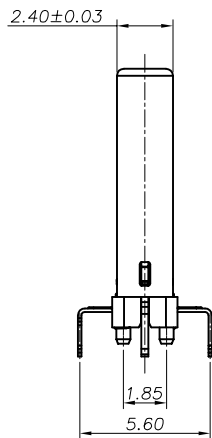
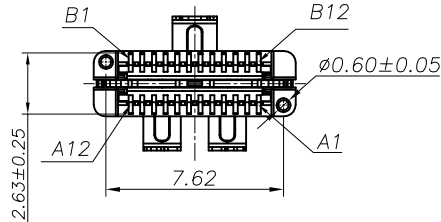
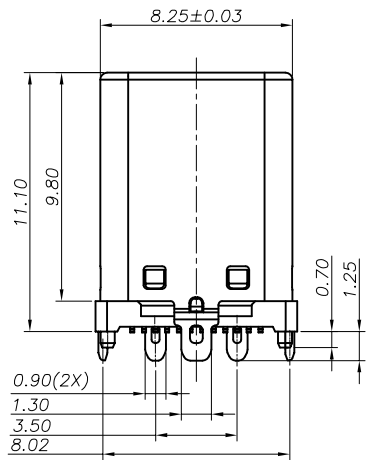
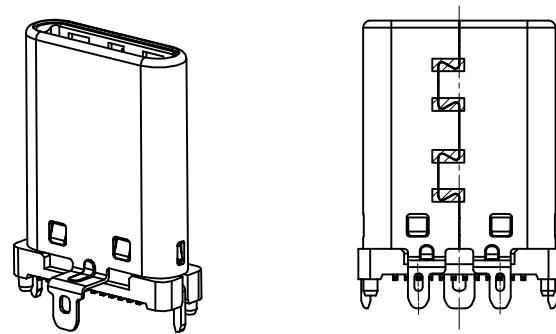
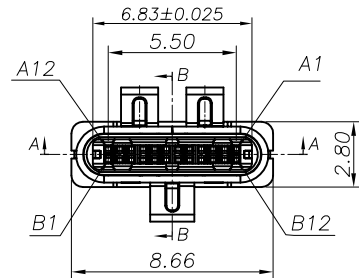


RoHS Compliant

REVISIONS			
REV.	DESCRIPTION	DATE	DESIGN



NOTE:

- MATERIAL SPECIFICATION:
 - HOUSING&PICKUP COVER:LCP,UL94 V-0.BLACK
 - CONTACTS:SEE TABLE 1
 - LATCH: STAINLESS STEEL(SUS301)
 - SPRING: STAINLESS STEEL(SUS304)
 - FRONT SHELL: STAINLESS STEEL(SUS304)
- PLATING SPECIFICATION:
 - CONTACTS:
 - Ni 50u" MIN. UNDER PLATED OVER ALL.
 - Au PLATED ON THE FUNCTIONAL AREA OF CONTACT. (GOLD PLATING THICKNESS FOLLOW THE P/N)
 - PLATING SPECIFICATIONS OF THE SOLDER AREA FOLLOW THE P/N
 - FRONT SHELL:
 - Ni 30u" MIN. UNDER PLATED OVER ALL.
 - LATCH:
 - Ni 50u" MIN. UNDER PLATED OVER ALL.
 - 80u" MIN. TIN PLATED ON SOLDER AREA.
 - FRONT SHELL:
 - CLEAR ONLY
- MECHANICAL PERFORMANCE,
 - INSERTION FORCE: 0.5~2.0kgf.
 - REMOVAL FORCE: 0.8kgf~2.0kgf.
 - DURABILITY: 10000 CYCLES.
- ELECTRICAL PERFORMANCE,
 - CURRENT RATING:SEE TABLE 1
VOLTAGE RATING:5.0V
 - LLCR:
 - VBUS & GND PINS AND OTHER PINS: 40mΩ/PIN MAX.
 - SHIELD: 50mΩ/MAX.
 - LLCR MAX. CHANGE OF ALL PINS: 10mΩ.
 - INSULATION RESISTANCE: 100MΩ MIN
 - DIELECTRIC WITHSTAND VOLTAGE,AC 100V FOR 1 MINUTE.
- ENVIRONMENTAL PERFORMANCE:
 - OPERATING TEMPERATURE: -25°C~+85°C.
- IR REFLOW:
 - THE PEAK TEMPERATURE ON THE BOARD SHALL BE MAINTAINED FOR 10 SECONDS AT 260°C.

PART NO. INFORMATION

U06-C M X X 5 R - 004-VX

- PORT TYPE: C: TYPE C
- GENDER: F: FEMALE, M: MALE
- CONTACT PLATED:
 - 1: GOLD FLASH
 - 2: GOLD 3U"
 - 3: GOLD 5U"
 - 4: GOLD 10U"
 - 5: GOLD 15U"
 - 6: GOLD 30U"
- PACKAGE: R: TAPE REEL
- HOUSING COLOR:
 - 2: WHITE
 - 5: BLACK
 - 9: NATURE
- HOUSING MATERIAL:
 - A: LCP, B: PBT
 - C: PA9T, D: PA6T
 - E: PA46, F: PA66
- CONTACTS:
 - 2:C7025
 - 3:C7035

TABLE 1

ITEM	P/N	CONTACTS	CONTACTS		CURRENT RATING
			FUNCTIONAL AREA	SOLDER AREA	
1	U06-CM2X5R-004-V2	C7025	Au:3u"	Sn 80u"	3.0A Max
2	U06-CM5X5R-004-V2	C7025	Au:15u"		3.0A Max
3	U06-CM2X5R-004-V3	C7035	Au:3u"		5.0A Max

Bestcreate Technology Limited

TOLERANCES UNLESS OTHERWISE SPECIFIED:

X.	± 0.30	X.'	± 10'
.X	± 0.20	.X'	± 8'
.XX	± 0.10	.XX'	± 5'

DESIGN: I. L DATE:

CHECKED: C. W DATE:

APPROVED: C. W DATE:

TITLE: USB CM VERTICAL TYPE, H=11.1

MATERIA: PART NO: U06-CMXX5R-004-VX SIZE: A4

FINSH: DWG NO: U06-CMXX5R-004-VX

REV: A UNIT mm SCALE 1=1 QUALITY SYMBOLS

Website:www.bsc-elec.com Email:bestcreate@bsc-elec.com