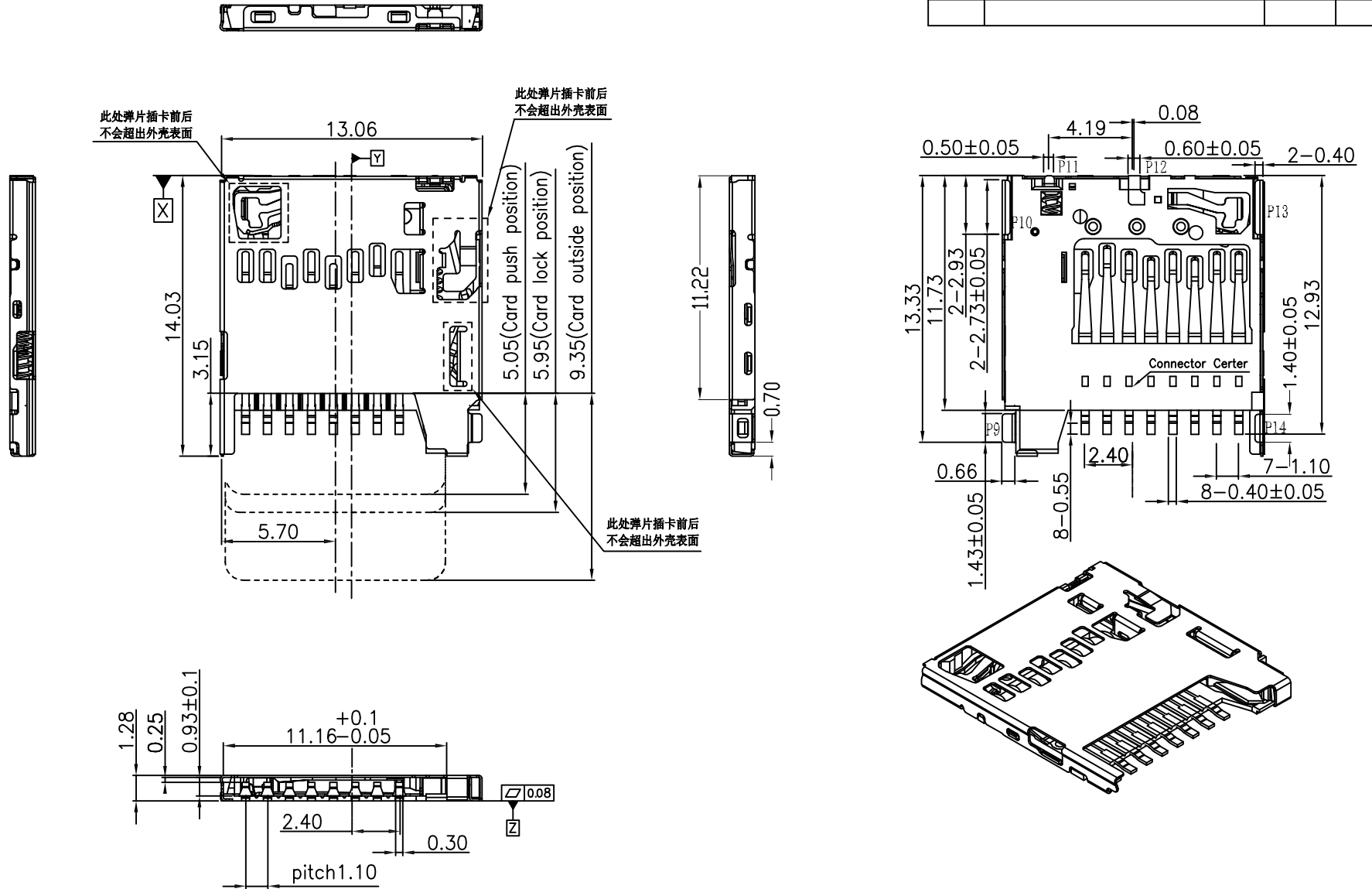


RoHS Compliant

REVISIONS			
REV.	DESCRIPTION	DATE	DESIGN



**Bestcreate Technology Limited**

TOLERANCES UNLESS OTHERWISE SPECIFIED:

.X	±	0.35	X.*	±	5°
.XX	±	0.25	.X*	±	2°
.XXX	±	0.15	.XX*	±	1°

Website: www.bsc-elec.com  
Email: bestcreate@bsc-elec.com

DESIGN: I.L  
DATE: 2017.3.1

CHECKED: C.W  
DATE: 2017.3.1

APPROVED: C.W  
DATE: 2017.3.1

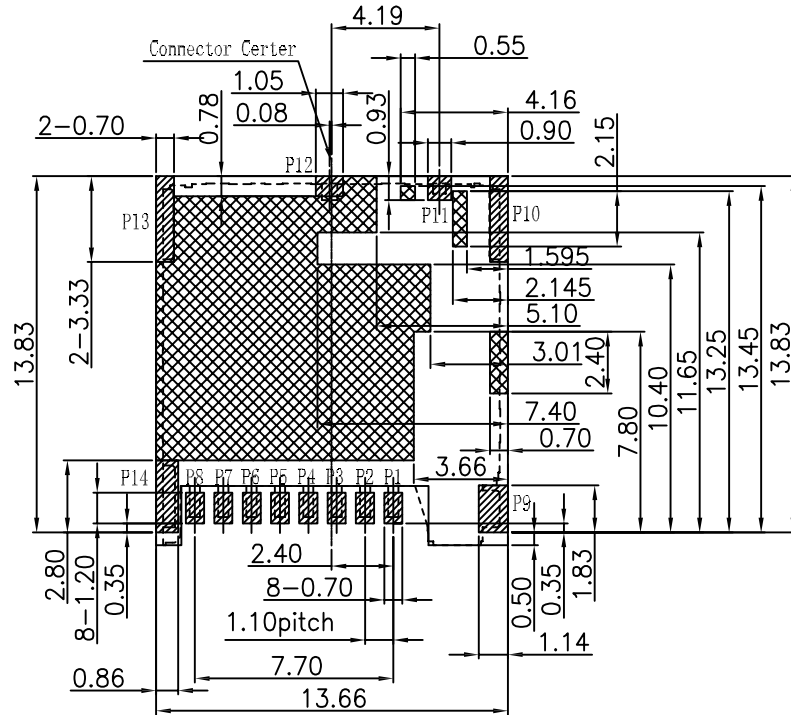
TITLE: Micro SD 1.28H P/P  
CARD CONN

MATERIAL:	PART NO: MSD-10XX5R-004	SIZE: A4
FINISH:	DWG NO: MSD-10XX5R-004	SHEET: 1 OF 3

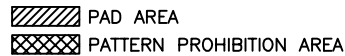
REV: A	UNIT: mm	SCALE: 1=1	QUALITY SYMBOLS:
--------	----------	------------	------------------

RoHS Compliant

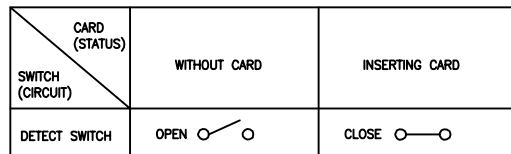
REVISIONS			
REV.	DESCRIPTION	DATE	DESIGN



RECOMMEND P.C.B LAYOUT  
(General tolerance ±0.05)



CIRCUIT DIAGRAM FOR CARD DETECT SWITCH



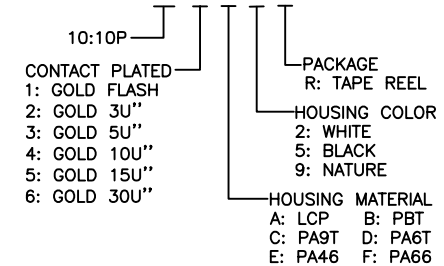
PIN NO.	PIN ASSIGNMENT
P1	DAT2
P2	DAT3/CD
P3	CMD
P4	VDD
P5	CLK
P6	VSS
P7	DAT0
P8	DAT1
P9	GROUND
P10	GROUND
P11	DETECT LEVER
P12	DETECT LEVER
P13	GROUND
P14	GROUND

### Specification

- MATERIAL:
  - Insulator: High Temperature Thermoplastic, LCP black 94V-0.
  - Contact: Phosphor Bronze (C5210, T=0.15mm)
  - Shell: SUS301-3/4H T=0.10mm
- Plating:
  - Contact: Plated 30u"min Ni Overall  
Plated 1u"min Au Selective contact area  
Plated 1u"min AU over Ni on solder area
  - Shell: Plated 1u"min AU overll 30u"min Ni
- Property:
  - Current Rating :0.5A AC/DC max.
  - Voltage Rating :12V AC/DC
  - Ambient Temperature Range :-20°C~+60°C
  - Ambient Humidity Range :95% R.H. Max.
  - Contact Resistance:100mΩ max.
  - Insulation Resistance:1000MΩ min./500VDC
  - Durability:5000 cycles

### PART NO. INFORMATION

**MSD - 10 X X 5 R - 004**



# Bestcreate Technology Limited

TOLERANCES UNLESS OTHERWISE SPECIFIED:

.X	± 0.35	X.*	± 5*
.XX	± 0.25	.X.*	± 2*
.XXX	± 0.15	.XX.*	± 1*

Website: www.bsc-elec.com  
Email: bestcreate@bsc-elec.com

DESIGN: I.L	DATE: 2017.3.1
CHECKED: C.W	DATE: 2017.3.1
APPROVED: C.W	DATE: 2017.3.1

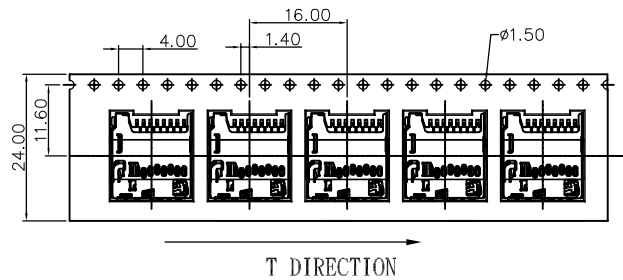
TITLE: Micro SD 1.28H P/P CARD CONN		
MATERIAL: FINISH:	PART NO: MSD-10XX5R-004	SIZE: A4
	DWG NO: MSD-10XX5R-004	SHEET: 2 OF 3

REV: A	UNIT: mm	SCALE: 1=1	QUALITY SYMBOLS:
--------	----------	------------	------------------

RoHS Compliant

REVISIONS			
REV.	DESCRIPTION	DATE	DESIGN

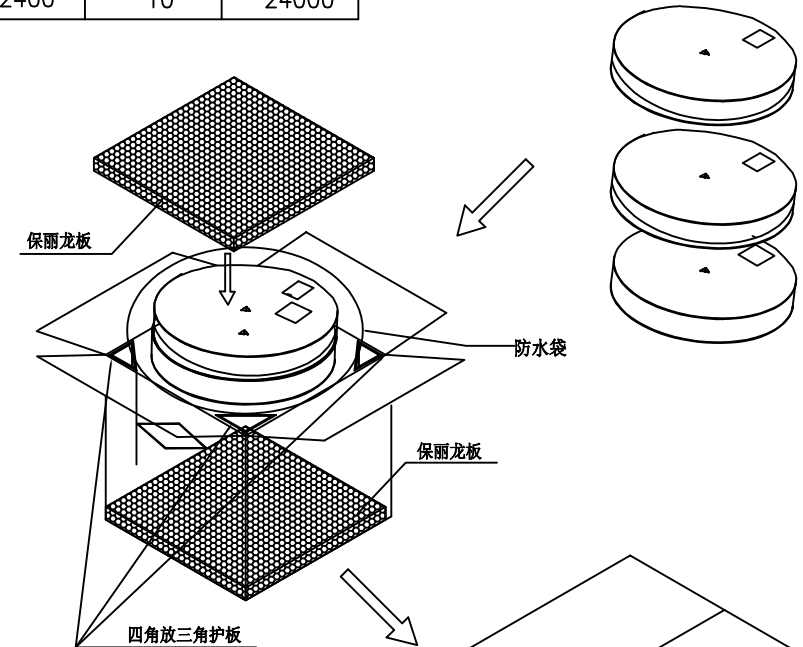
<图一>



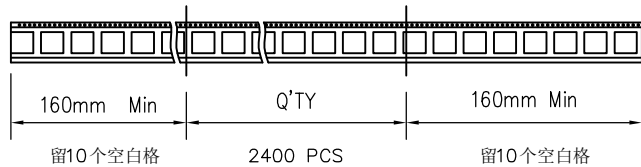
<TABLE 1> PACKAGING QUANTITY

QTY/REEL	REEL/CARTON	QTY/CARTON
2400	10	24000

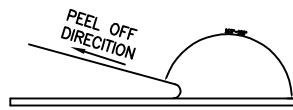
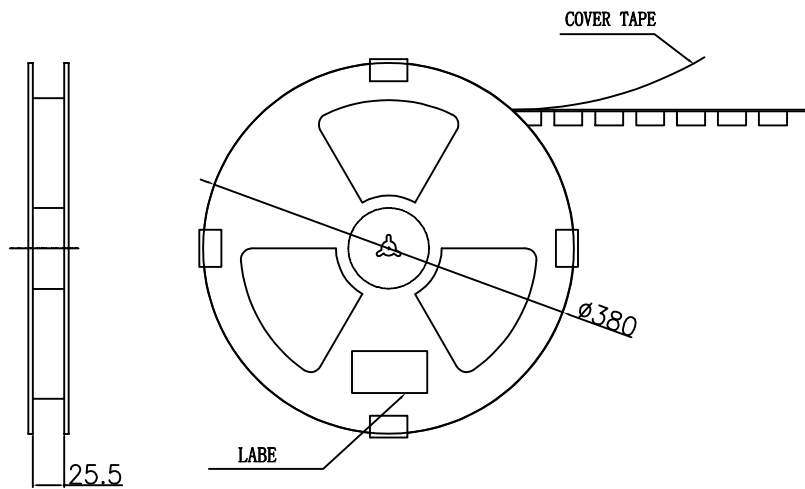
<图三>



放料方向

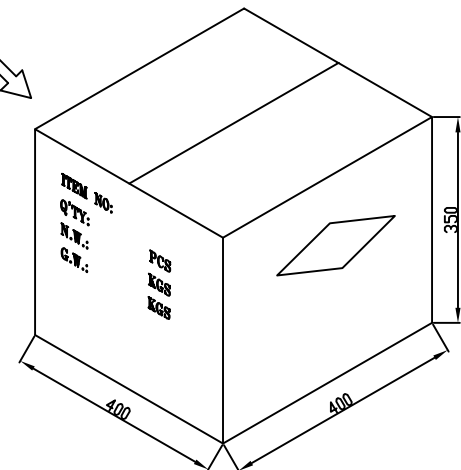


<图二>



NOTE:

- 依<图一>示放置产品于下载中, 每穴放置1PCS产品.
- 包装机包好后, 在REEL的个等分点贴上胶带, 以防止REEL张开, 每REEL贴1PCS标签, 如<图二>示
- 包装数量见如<TABLE 1>示
- 包装成箱见如<图三>示  
箱底放保利龙板, 再依次将指定数量的卷装产品用防水袋包好放入箱内, 四角分别放入四个三角护板, 最上层再放上保利龙板.
- 封箱, 在封好的纸箱上按客户要求写上料号, 数量等



**Bestcreate Technology Limited**

TOLERANCES UNLESS OTHERWISE SPECIFIED:

.X	± 0.35	X.*	± 5*
.XX	± 0.25	.X*	± 2*
.XXX	± 0.15	.XX*	± 1*

Website: www.bsc-elec.com  
Email: bestcreate@bsc-elec.com

DESIGN: I.L  
DATE: 2017.3.1

CHECKED: C.W  
DATE: 2017.3.1

APPROVED: C.W  
DATE: 2017.3.1

TITLE: Micro SD 1.28H P/P  
CARD CONN 包装图

MATERIAL:	PART NO: MSD-10XX5R-004	SIZE: A4
FINISH:	DWG NO: MSD-10XX5R-004	SHEET: 3 OF 3

REV: A	UNIT: mm	SCALE: 1=1	QUALITY SYMBOLS:
--------	----------	------------	------------------