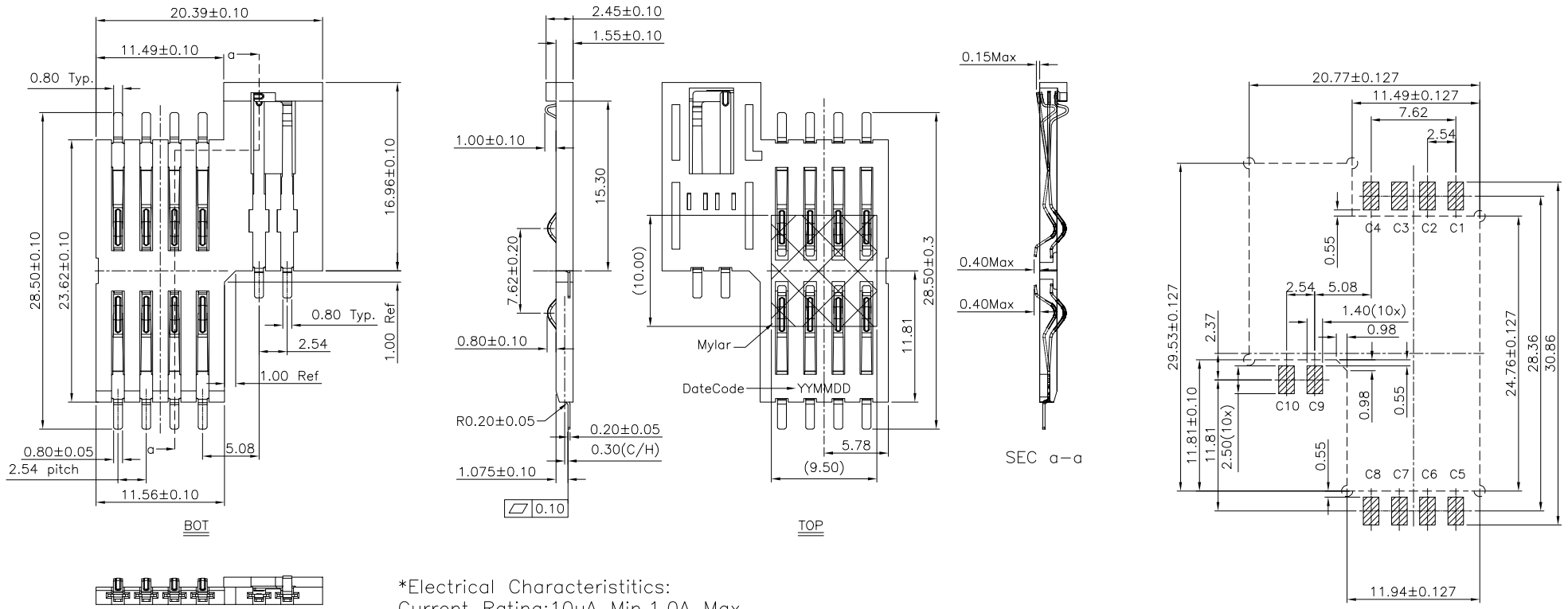


RoHS Compliant

REVISIONS			
REV.	DESCRIPTION	DATE	DESIGN



***Electrical Characteristics:**
 Current Rating:10uA Min.1.0A Max
 Voltage Rating:30V AC
 Insulation Resistance:1000M Ohm Min
 Contact Resistance:100M Ohm Max.
 Dielectric Withstanding Voltage:500V AC Min
***Mechanical Characteristics:**
 Contact Force:0.2Nf-0.6Nf
 Durability:100000 Insertions.
***Environmenttal:**
 Operating Temperature:-40°C~+85°
 Dielectric Withstanding:-60°C~+105°
***Material:**
 1.Housing:LCP+30%G.F UL94V-0 BLACK.
 2.Contact:C5191,Au And Sn Plated

PART NO. INFORMATION

SC - 10 X X 5 R - 001

RECOMMENDED PCB LAYOUT
 GENERAL TOLERANCE ±0.05

- 10:10P
- CONTACT PLATED
- 1: GOLD FLASH
- 2: GOLD 3U"
- 3: GOLD 5U"
- 4: GOLD 10U"
- 5: GOLD 15U"
- 6: GOLD 30U"
- PACKAGE
- R: TAPE REEL
- HOUSING COLOR
- 2: WHITE
- 5: BLACK
- 9: NATURE
- HOUSING MATERIAL
- A: LCP B: PBT
- C: PA9T D: PA6T
- E: PA46 F: PA66

Connector terminal NO.	Pin NO.
Pin C1	VCC
Pin C2	RST
Pin C3	CLK
Pin C4	RESERVED
Pin C5	GND
Pin C6	VPP
Pin C7	I/O
Pin C8	RESERVED
Pin C9	SW
Pin 10	SW

Bestcreate Technology Limited

TOLERANCES UNLESS OTHERWISE SPECIFIED:	
.X ± 0.35	X' ± 5'
.XX ± 0.25	.X' ± 2'
.XXX ± 0.15	.XX' ± 1'

Website:www.bsc-elec.com
 Email:bestcreate@bsc-elec.com

DESIGN:	DATE:
I. L	2017. 3. 1
CHECKED:	DATE:
C. W	2017. 3. 1
APPROVED:	DATE:
C. W	2017. 3. 1

TITLE:		
SMART CARD SOCKET PRODUCT 1.075H		
MATERILA:	PART NO:	SIZE:
FINSH:	DWG NO:	1 OF 2
	SC-10XX5R-001	A4
	SC-10XX5R-001	

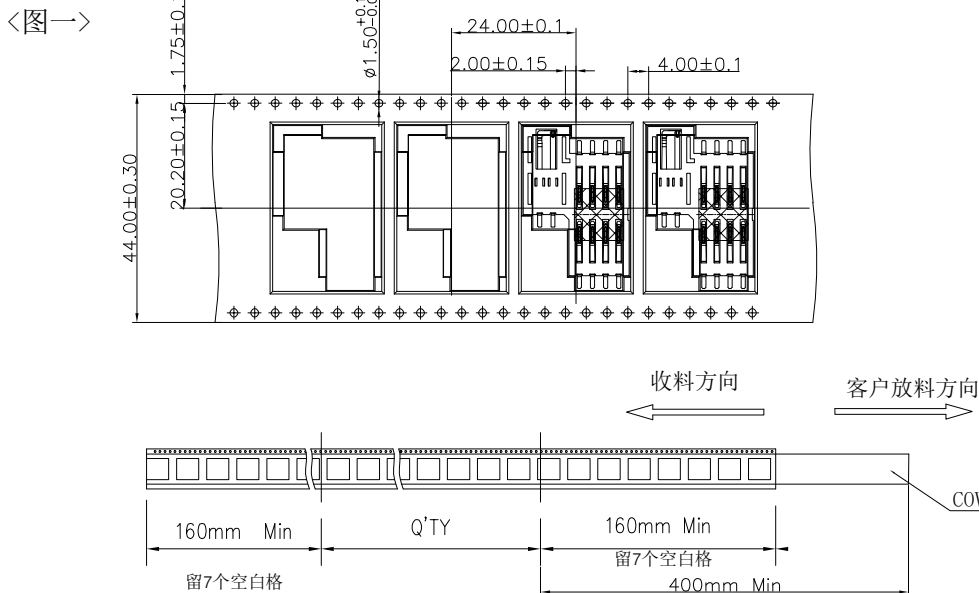
REV:	UNIT	SCALE	QUALITY SYMBOLS
A	mm	1=1	

RoHS Compliant

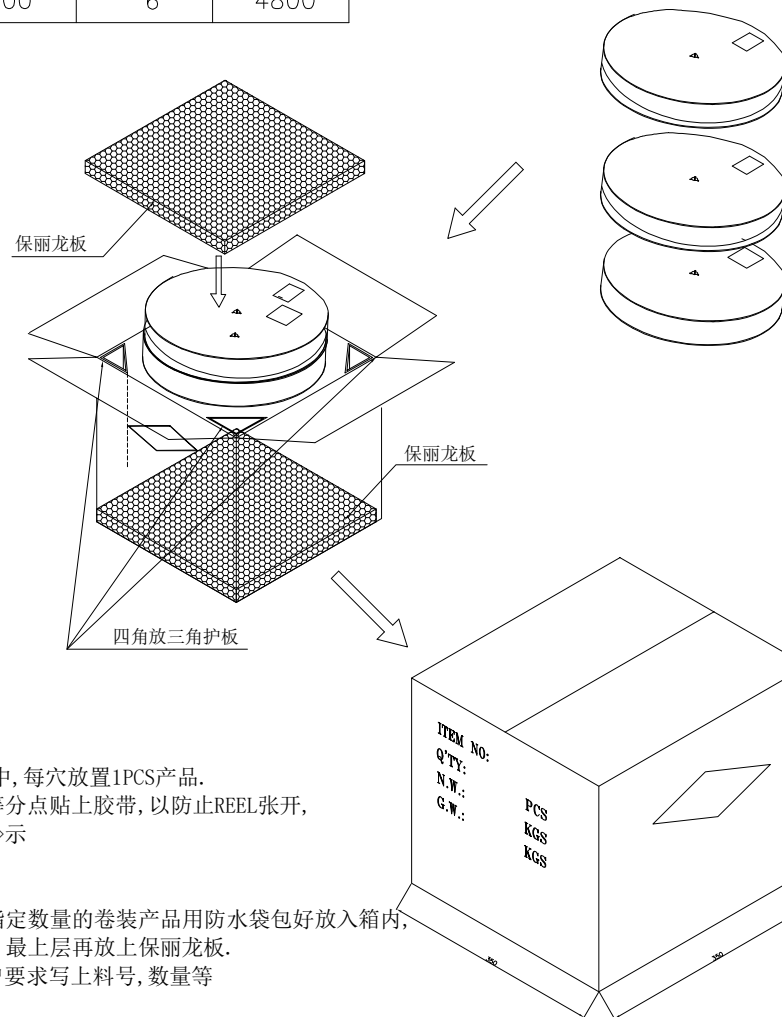
REVISIONS			
REV.	DESCRIPTION	DATE	DESIGN

<TABLE 1> PACKAGING QUANTITY

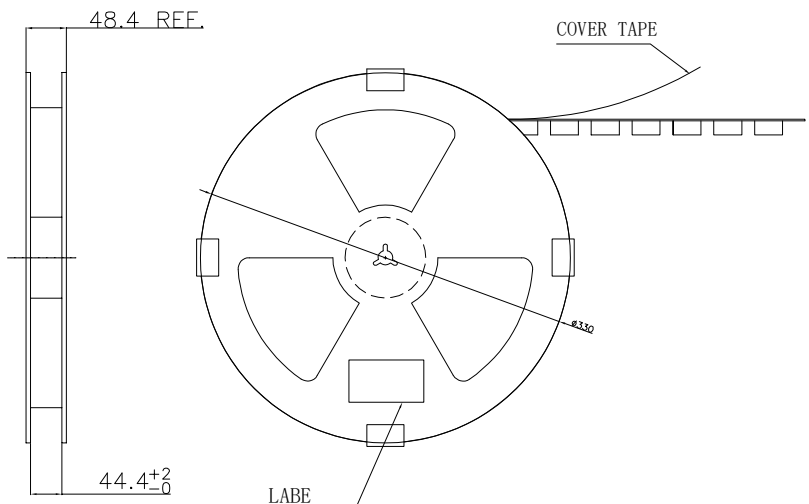
QTY/REEL	REEL/CARTON	QTY/CARTON
800	6	4800



<图三>



<图二>



NOTE:

1. 依<图一>示放置产品于下载中, 每穴放置1PCS产品.
2. 包装机包好后, 在REEL的个等分点上贴胶带, 以防止REEL张开, 每REEL贴1PCS标签, 如<图二>示
3. 包装数量见如<TABLE 1>示
4. 包装成箱见如<图三>示
箱底放保利龙板, 再依次将指定数量的卷装产品用防水袋包好放入箱内, 四角分别放入四个三角护板, 最上层再放上保利龙板.
5. 封箱, 在封好的纸箱上按客户要求写上料号, 数量等

Bestcreate Technology Limited

TOLERANCES UNLESS OTHERWISE SPECIFIED:					
.X	±	0.35	X'	±	5'
.XX	±	0.25	.X'	±	2'
.XXX	±	0.15	.XX'	±	1'
Website: www.bsc-elec.com					
Email: bestcreate@bsc-elec.com					

DESIGN:	DATE:
I. L	2017. 3. 1
CHECKED:	DATE:
C. W	2017. 3. 1
APPROVED:	DATE:
C. W	2017. 3. 1

TITLE: SMART CARD SOCKET PRODUCT 1.075H		
MATERILA:	PART NO:	SIZE:
	SC-10XX5R-001	A4
FINSH:	DWG NO:	
	SC-10XX5R-001	2 OF 2

REV: A	UNIT mm	SCALE 1=1	QUALITY SYMBOLS
--------	---------	-----------	-----------------