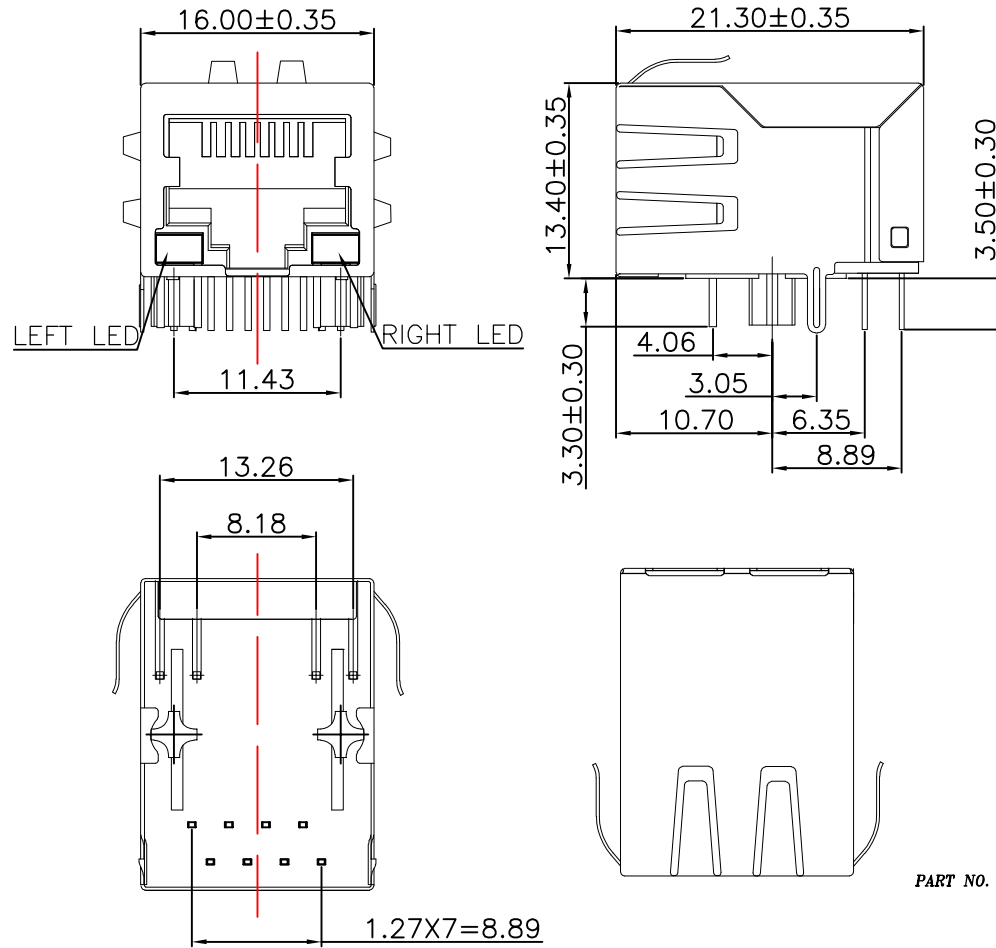
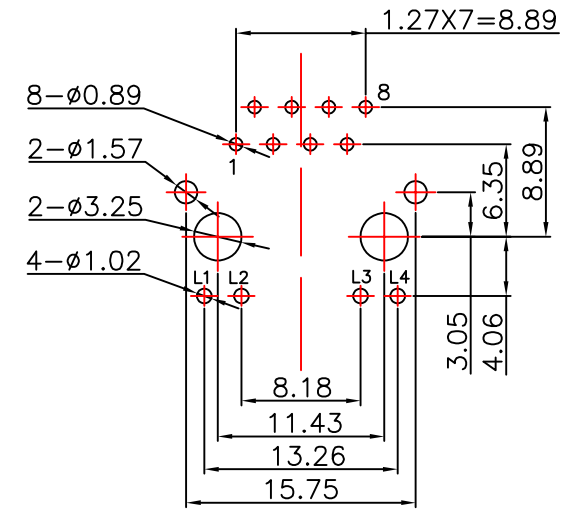


RoHS Compliant

REVISIONS			
REV.	DESCRIPTION	DATE	DESIGN



1. Material:
- 1.1 Housing: PBT UL94V-0 Black.
 - 1.2 Contact :Phosphor Bronze,Gold plated on contact area 6u".
 - 1.3 Input Terminal : Brass.
 - 1.4 Metal shielding:Copper alloy with Nickel plated.
- 2.Environmental requirements:
- 2.1 Lead-free process,compliant RoHS.



Recommended PCB Layout
(Tolerance:±0.05)

PART NO. INFORMATION

RJ01- X 1 A X - 115

CONTACT PLATED
 1: G/F 2: AU 3U"
 3: AU 6U" 4: AU 10U"
 5: AU 15U" 6: AU 30U"
 LED COLOR:
 1:L-YELLOW R-GREEN
 PACKAGE
 R: TAPE REEL
 T: TRAY
 HOUSING:
 A:LCP BLACK

Bestcreate Technology Limited

TOLERANCES UNLESS OTHERWISE SPECIFIED:

.X	± 0.35	X.	± 3'
.XX	± 0.25	.X'	± 2'
.XXX	± 0.15	.XX'	± 1'

Website:www.bsc-elec.com

Email:bestcreate@bsc-elec.com

DESIGN: I. L DATE: 2017. 3. 1

CHECKED: C. W DATE: 2017. 3. 1

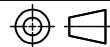
APPROVED: C. W DATE: 2017. 3. 1

TITLE: 5921 1X1 WITH CLIPS LEFT YELLOW RIGHT GREEN DIP TYPE 100Gbps

MATERILA: FINSH: PART NO: RJ01-X1AX-115 SIZE: A4

DWG NO: RJ01-X1AX-115 1 OF 2

REV: A UNIT mm SCALE 1=1 QUALITY SYMBOLS

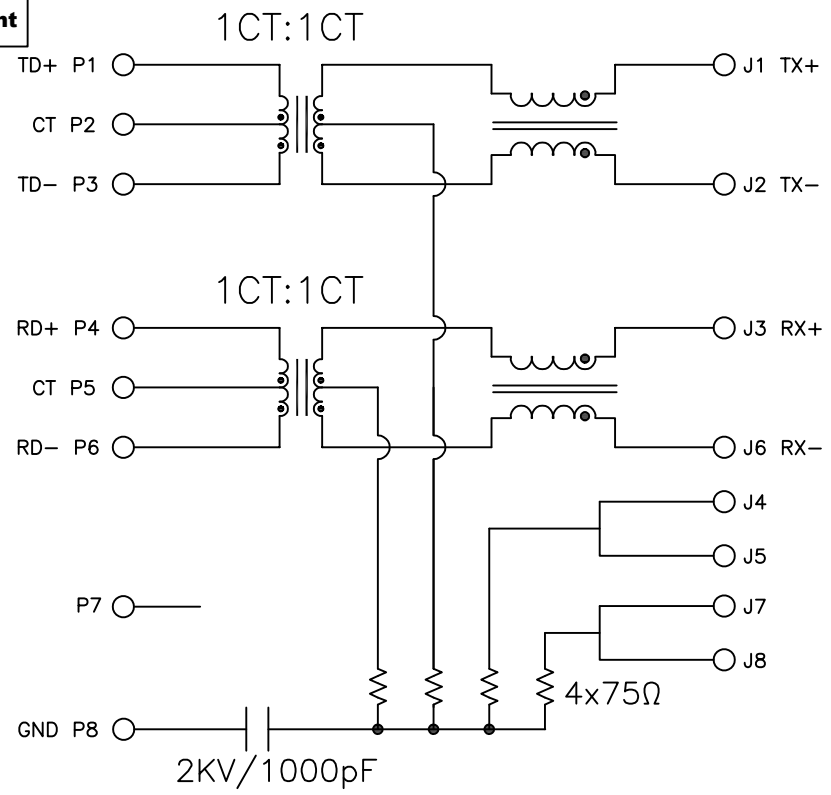


RoHS Compliant

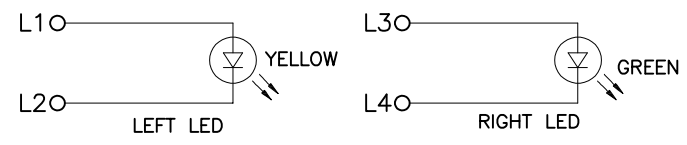
REVISIONS			
REV.	DESCRIPTION	DATE	DESIGN

PCB CONNECTIONS

RJ45 CONNECTIONS



- 3. Electrical Specification @25°C:
 - 3.1 Inductance: 350uH Min With 8mA DC bias.
 - 3.2 Insertion loss :
 - 1-100MHZ -1dB max.
 - 3.3 Return loss :
 - 1-30MHZ -18dB min.
 - 30-60MHZ -16dB min.
 - 60-80MHZ -12dB min.
 - 3.4 Common Mode Rejection: 1-100MHZ -30dB min.
 - 3.5 Cross Talk: 1-100MHZ -30dB min.
- 4. Operating and Storage Temperature:
 - 4.1 Operating Temperature : 0°C to +70°C.
 - 4.2 Storage Temperature : -40°C to +85°C.
- 5. Wave soldering peak temperature: 260°C.



Emitting Color	λ_p (nm)	$V_f @ I_f = 20mA$
Green	565	1.8-2.5V
YELLOW	585	1.8-2.5V

Bestcreate Technology Limited

TOLERANCES UNLESS OTHERWISE SPECIFIED:

.X	± 0.35	X.	± 3'
.XX	± 0.25	.X'	± 2'
.XXX	± 0.15	.XX'	± 1'

Website: www.bsc-elec.com
 Email: bestcreate@bsc-elec.com

DESIGN:	DATE:
I. L	2017. 3. 1
CHECKED:	DATE:
C. W	2017. 3. 1
APPROVED:	DATE:
C. W	2017. 3. 1

TITLE:		
5921 1X1 WITH CLIPS LEFT YELLOW RIGHT GREEN DIP TYPE 100Gbps		
MATERILA:	PART NO:	SIZE:
	RJ01-X1AX-115	A4
FINSH:	DWG NO:	
	RJ01-X1AX-115	2 OF 2

REV:	UNIT	SCALE	QUALITY SYMBOLS
A	mm	1=1	