

RoHS Compliant

PITCH FPC 0.8mm CONNECTOR SMT TYPE

REVISIONS

REV.	DESCRIPTION	DATE	DESIGN
------	-------------	------	--------

A

B

C

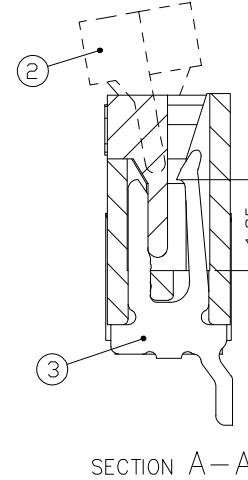
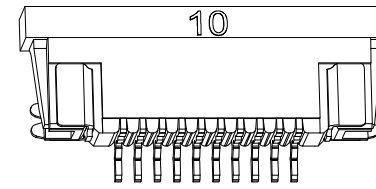
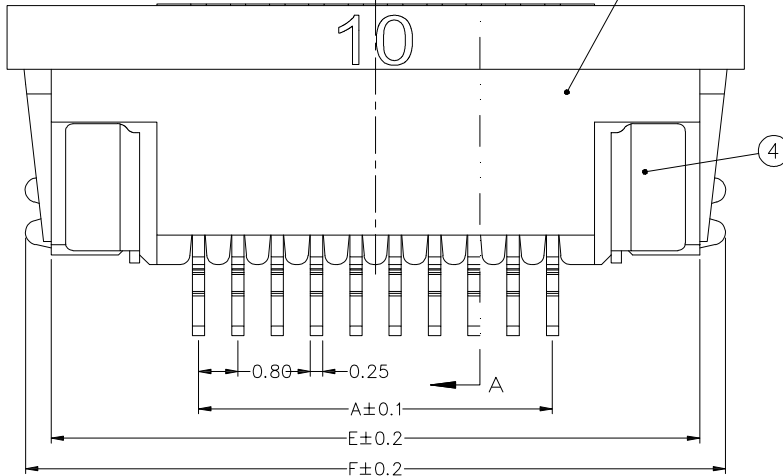
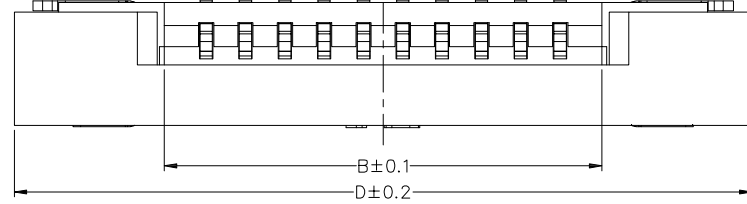
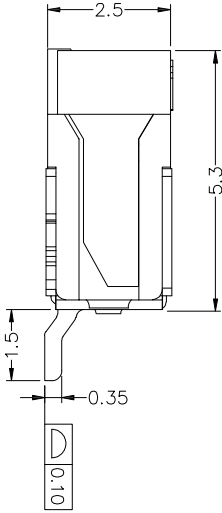
D

A

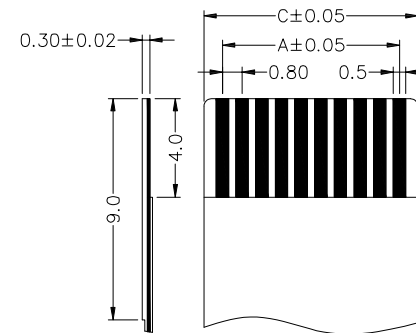
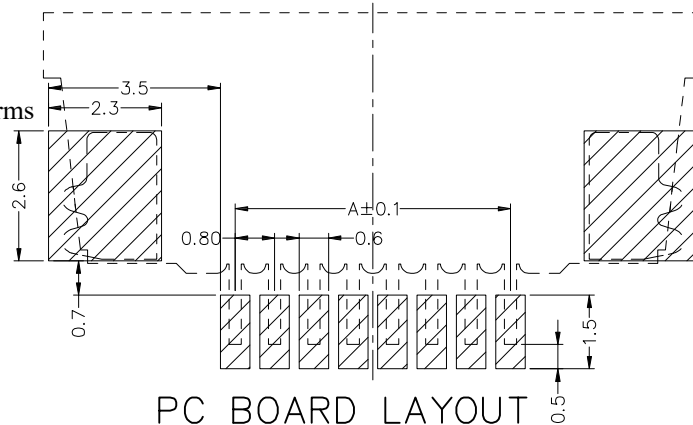
B

C

D



Electrical
 rated current:0.4A AC(rms)/DC
 nominal voltage:50V AC(rms)/DC
 Dielectric Withstanding Voltage:200V AC/rms
 Contact Resistance:≤20mΩ max(initial)
 Insulation Resistance:500 MΩ min
 Operating Temp:-20°C~+85°C



PROPER CABLE (SCALE 2:1)

PIN	DIM A	DIM B	DIM C	DIM D	DIM E	DIM F
4	3.00	4.10	3.90	10.20	8.40	9.40
5	3.80	4.90	4.70	11.00	9.20	10.20
6	4.60	5.70	5.50	11.80	10.00	11.00
7	5.40	6.50	6.30	12.60	10.80	11.80
8	6.20	7.30	7.10	13.40	11.60	12.60
9	7.00	8.10	7.90	14.20	12.40	13.40
10	7.80	8.90	8.70	15.00	13.20	14.20
11	8.60	9.70	9.50	15.80	14.00	15.00
12	9.40	10.50	10.30	16.60	14.80	15.80
13	10.20	11.30	11.10	17.40	15.60	16.60
14	11.00	12.10	11.90	18.20	16.40	17.40
15	11.80	12.90	12.70	19.00	17.20	18.20
16	12.60	13.70	13.50	19.80	18.00	19.00
17	13.40	14.50	14.30	20.60	18.80	19.80
18	14.20	15.30	15.10	21.40	19.60	20.60
19	15.00	16.10	15.90	22.20	20.40	21.40
20	15.80	16.90	16.70	23.00	21.20	22.20
21	16.60	17.70	17.50	23.80	22.00	23.00
22	17.40	18.50	18.30	24.60	22.80	23.80
23	18.20	19.30	19.10	25.40	23.60	24.60
24	19.00	20.10	19.90	26.20	24.40	25.40
25	19.80	20.90	20.70	27.00	25.20	26.20
26	20.60	21.70	21.50	27.80	26.00	27.00
27	21.40	22.50	22.30	28.60	26.80	27.80
28	22.20	23.30	23.10	29.40	27.60	28.60
29	23.00	24.10	23.90	30.20	28.40	29.40
30	23.80	24.90	24.70	31.00	29.20	30.20
31	24.60	25.70	25.50	31.80	30.00	31.00
32	25.40	26.50	26.30	32.60	30.80	31.80
33	26.20	27.30	27.10	33.40	31.60	32.60
34	27.00	28.10	27.90	34.20	32.40	33.40
35	27.80	28.90	28.70	35.00	33.20	34.20
36	28.60	29.70	29.50	35.80	34.00	35.00
37	29.40	30.50	30.30	36.60	34.80	35.80
38	30.20	31.30	31.10	37.40	35.60	36.60
39	31.00	32.10	31.90	38.20	36.40	37.40
40	31.80	32.90	32.70	39.00	37.20	38.20
41	32.60	33.70	33.50	39.80	38.00	39.00
42	33.40	34.50	34.30	40.60	38.80	39.80
43	34.20	35.30	35.10	41.40	39.60	40.60
44	35.00	36.10	35.90	42.20	40.40	41.40

PART NO. INFORMATION

FPC08-XX 0 1 X -B002

NO. OF CONTACTS: 1
 PACKAGE: T:TUBE, R:TAPE&REEL
 PLATING: 0: TIN, G: GOLD FLASH
 1:ROHS, 2: HALOGEN FREE

④	FITTING	PHOSPHOR BRONZE	PDR-100-BK(L/R)
③	TERMINAL	PHOSPHOR BRONZE	PDR-100-BS
②	LATCH	LCP(BLACK)UL94V-0	1.0B-NA
①	HOUSING	LCP(NATURAL)UL94V-0	1.0B-NY
SERIAL NUMBER	NAMER	MATERIALS	PART NUMBER

PC BOARD LAYOUT

Bestcreate Technology Limited

TOLERANCES UNLESS OTHERWISE SPECIFIED:

.X	± 0.50	X.*	± 2'
.XX	± 0.20	.X'	± 1'
.XXX	± 0.05	.XX'	± 0.5'

Website:www.bsc-elec.com
 Email:bestcreate@bsc-elec.com

DESIGN: I.L DATE: 2017. 3. 1

CHECKED: C.W DATE: 2017. 3. 1

APPROVED: C.W DATE: 2017. 3. 1

TITLE: 0.8MM FPC BOTTOM MOUNT, (H:2.5MM)

MATERIAL: PART NO: FPC08-XX01X-B002 SIZE: A4

FINISH: DWG NO: FPC08-XX01X-B002

REV: A UNIT mm SCALE 1=1 QUALITY SYMBOLS