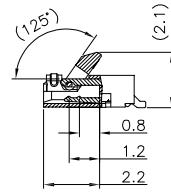
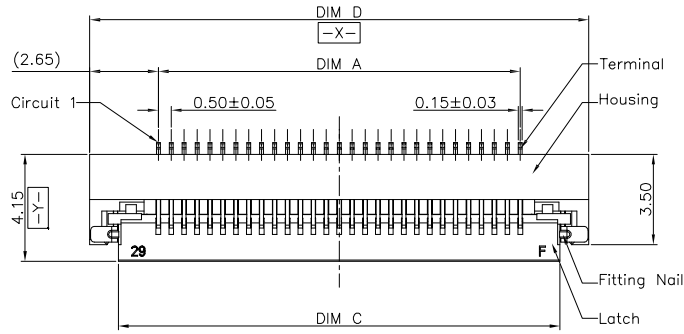
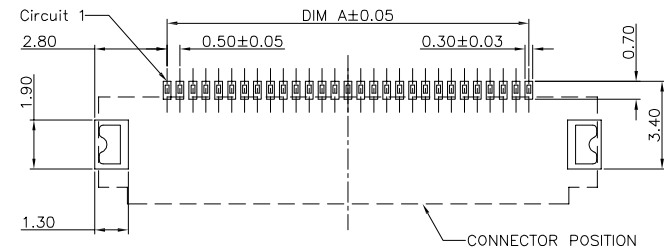
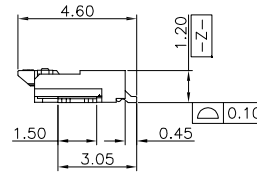
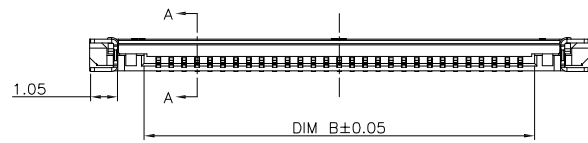


RoHS Compliant

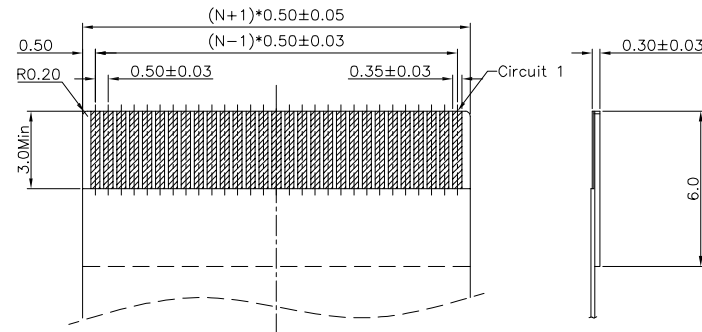
REVISIONS			
REV.	DESCRIPTION	DATE	DESIGN



SECTION A-A
SCALE 1:1



RECOMMENDED PCB PATTERN LAYOUT



RECOMMENDED FPC/FFC DIMENSION

- Note:
- Material:
 - Housing: thermoplastic high temp. UL94V-0; Color: natural.
 - Latch: thermoplastic high temp. UL94V-0; Color: black.
 - Terminal: copper alloy.
 - Fitting Nail: copper alloy.
 - Finish:
 - Terminal: Underplating: Au/matt Tin overall.
 - Fitting Nail: Underplating: matt Tin overall.
 - Product must comply HF RoHS specification.

CKTS	DIM A	DIM B	DIM C	DIM D
4	1.50	2.60	4.58	6.80
5	2.00	3.10	5.08	7.30
6	2.50	3.60	5.58	7.80
7	3.00	4.10	6.08	8.30
8	3.50	4.60	6.58	8.80
9	4.00	5.10	7.08	9.30
10	4.50	5.60	7.58	9.80
11	5.00	6.10	8.08	10.30
12	5.50	6.60	8.58	10.80
13	6.00	7.10	9.08	11.30
14	6.50	7.60	9.58	11.80
15	7.00	8.10	10.08	12.30
16	7.50	8.60	10.58	12.80
17	8.00	9.10	11.08	13.30
18	8.50	9.60	11.58	13.80
19	9.00	10.10	12.08	14.30
20	9.50	10.60	12.58	14.80
21	10.00	11.10	13.08	15.30
22	10.50	11.60	13.58	15.80
23	11.00	12.10	14.08	16.30
24	11.50	12.60	14.58	16.80
25	12.00	13.10	15.08	17.30
26	12.50	13.60	15.58	17.80
27	13.00	14.10	16.08	18.30
28	13.50	14.60	16.58	18.80
29	14.00	15.10	17.08	19.30
30	14.50	15.60	17.58	19.80
31	15.00	16.10	18.08	20.30
32	15.50	16.60	18.58	20.80
33	16.00	17.10	19.08	21.30
34	16.50	17.60	19.58	21.80
35	17.00	18.10	20.08	22.30
36	17.50	18.60	20.58	22.80
37	18.00	19.10	21.08	23.30
38	18.50	19.60	21.58	23.80
39	19.00	20.10	22.08	24.30
40	19.50	20.60	22.58	24.80
41	20.00	21.10	23.08	25.30
42	20.50	21.60	23.58	25.80
43	21.00	22.10	24.08	26.30
44	21.50	22.60	24.58	26.80
45	22.00	23.10	25.08	27.30
46	22.50	23.60	25.58	27.80
47	23.00	24.10	26.08	28.30
48	23.50	24.60	26.58	28.80
49	24.00	25.10	27.08	29.30
50	24.50	25.60	27.58	29.80
51	25.00	26.10	28.08	30.30
52	25.50	26.60	28.58	30.80
53	26.00	27.10	29.08	31.30
54	26.50	27.60	29.58	31.80
55	27.00	28.10	30.08	32.30
56	27.50	28.60	30.58	32.80
57	28.00	29.10	31.08	33.30
58	28.50	29.60	31.58	33.80
59	29.00	30.10	32.08	34.30
60	29.50	30.60	32.58	34.80

PART NO. INFORMATION

FPC05-XX 0 1 X - B010

- NO. OF CONTACTS
- PLATING: O: TIN, G: GOLD FLASH
- PACKAGE: T:TUBE, R:TAPE&REEL
- 1:ROHS, 2: HALOGEN FREE

Bestcreate Technology Limited

TOLERANCES UNLESS OTHERWISE SPECIFIED:			
X.	± 0.30	X.'	± 2'
.X	± 0.25	.X'	± 1'
.XX	± 0.10	.XX'	± 0.5'

Website: www.bsc-elec.com
Email: bestcreate@bsc-elec.com

DESIGN:	DATE:
I. L	2017. 3. 1
CHECKED:	DATE:
C. W	2017. 3. 1
APPROVED:	DATE:
C. W	2017. 3. 1

TITLE:		
0.5MM FPC CONNECTOR EASY-ON R/A D/C SMT TYPE		
MATERILA:	PART NO:	SIZE: A4
FINSH:	FWG NO:	FPC05-XXX1X-B010

REV: A	UNIT: mm	SCALE: 1=1	QUALITY SYMBOLS
--------	----------	------------	-----------------