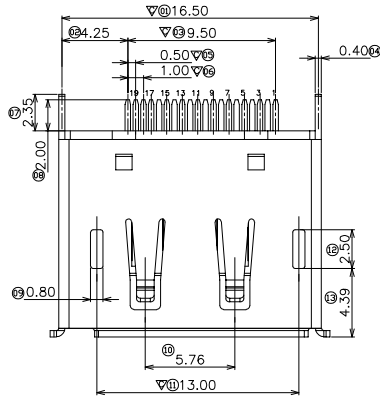


RoHS Compliant

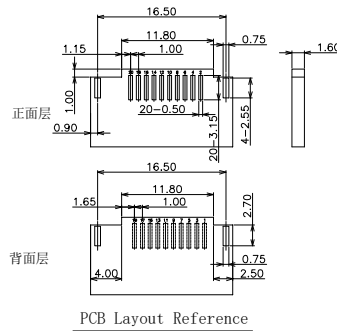
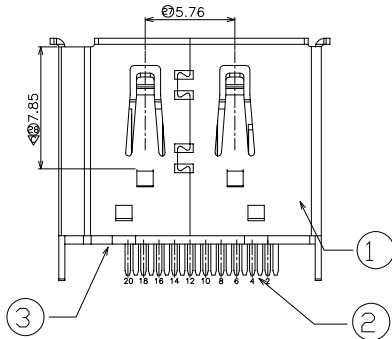
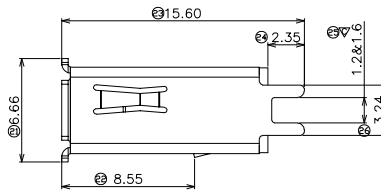
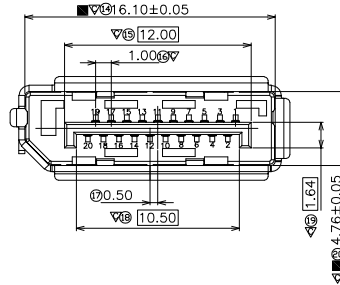


PIN	定义	PIN	定义
1	ML_Lane0 (P)	11	GND
2	GND	12	ML_Lane3 (N)
3	ML_Lane0 (N)	13	CFG1
4	ML_Lane1 (P)	14	CFG2
5	GND	15	AUX (HLP)
6	ML_Lane1 (N)	16	GND
7	ML_Lane2 (P)	17	AUX (HLP)
8	GND	18	HOT PLUG
9	ML_Lane2 (N)	19	Return (for Pwr)
10	ML_Lane3 (P)	20	DP-PWR (3.3V 500mA)

REVISIONS			
REV.	DESCRIPTION	DATE	DESIGN

NONES:

- 电气特性:
  - 接触阻抗: 30mΩ MAX (初始) FOR VBUS AND GND CONNECTS, 其它 50mΩ MAX (初始)
  - 绝缘阻抗: 100MΩ MIN.
  - 额定电流: 1.5A
  - 耐压: 100V AC (RMS)
- 机械特性
  - 插入力: 35N MAX.
  - 拔出力: 10N (初始) MIN. 寿命测试后: 8N MIN.
  - 寿命: 5000 CYCLES
  - 环境特性: 使用温度: -40° C-85° C
- 符合本公司环境物质管理标准



PART NO. INFORMATION

DP09- F 1 A 5 X - 020

GENDER:  
F: FEMALE  
M: MALE

CONTACT PLATED:  
1: GOLD FLASH  
2: GOLD 3U"  
3: GOLD 5U"  
4: GOLD 10U"  
5: GOLD 15U"  
6: GOLD 30U"

PACKAGE:  
R: TAPE REEL T-TRAY  
HOUSING COLOR:  
2: WHITE  
5: BLACK  
9: NATURE  
HOUSING MATERIAL:  
A: LCP B: PBT  
C: PA6T D: PA6T  
E: PA46 F: PA66

NO.	材料名称	材质	颜色	备注
3	外壳	SPCC	—	GOLD/NICKEL PLATED
2	端子	C2680	—	GOLD/TIN PLATED
1	胶芯	LCP	BLACK	UL 94V-0

Bestcreate Technology Limited

TOLERANCES UNLESS OTHERWISE SPECIFIED:

.X	± 0.35	.X'	± 2'
.XX	± 0.25	.X'	± 1'
.XXX	± 0.15	.XX'	± 0.5'

Website: www.bsc-elec.com  
Email: bestcreate@bsc-elec.com

DESIGN: I.L  
DATE: 2017.3.1  
CHECKED: C.W  
DATE: 2017.3.1  
APPROVED: C.W  
DATE: 2017.3.1

TITLE: STRADDLE MOUNT 1.2MM DP FEMALE CONNECTOR  
MATERILA: PART NO: DP09-F1A5X-020 SIZE: A4  
FINISH: DWG NO: DP09-F1A5X-020

REV: A UNIT mm SCALE 1=1 QUALITY SYMBOLS