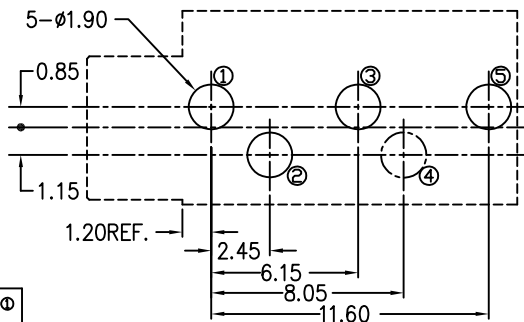
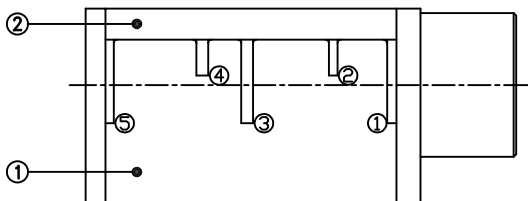
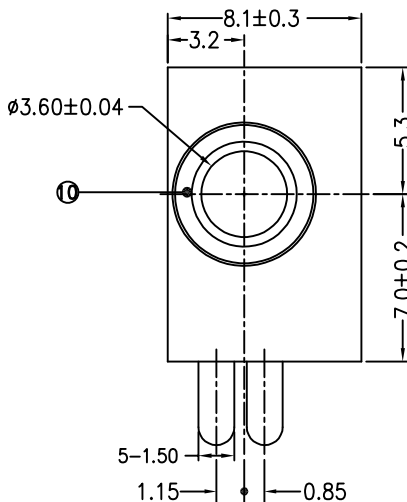
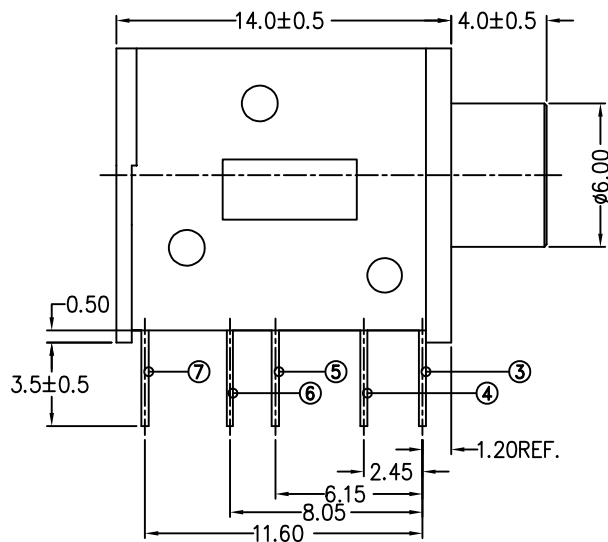


RoHS Compliant

| REVISIONS | | | |
|-----------|-------------|------|--------|
| REV. | DESCRIPTION | DATE | DESIGN |
| | | | |



NOTES:

- ELECTRICAL CHARACTERISTICS:
 - 1-1 CONTACT RESISTANCE: 50mΩ MAX. (INITIAL)
100mΩ MAX. (FINAL)
 - 1-2. DIELECTRIC WITHSTANDING VOLTAGE: 250V AC FOR ONE MINUTE.
 - 1-3. INSULATION RESISTANCE: 100MΩ MIN. MEASURED BY 500V DC
- MECHANICAL CHARACTERISTICS:
 - 2-1. PLUG INSERTION FORCE : 0.3~3.0KGS .
 - 2-2. PLUG WITHDRAWAL FORCE : 0.3~3.0KGS .
- DURABILITY TEST: 5,000 CYCLES .
- FOR REFLOW SOLDERING LEAD-FREE PROCESS.
- SOLDERING HEAT RESISTANCE REFLOW SOLDERING 260C.
- PLUG INTERFACE DIMENSIONS CONFORM TO EIAJ RC-5325 SPECc.

| ITEM | NAME | MATERIAL | FINISH | Q'TY | NOTE |
|------|----------------|----------|--------|------|---------|
| 10 | BUSHING | BRASS | NI | 1 | |
| 9 | TIP SPRING | SUS301 | NI | 1 | |
| 8 | RING SPRING | SUS301 | NI | 1 | |
| 7 | TIP SHUNT | BRASS | Ag | 1 | |
| 6 | RING CONTACT | PBS | Ag | 1 | |
| 5 | RING SHUNT | PBS | Ag | 1 | |
| 4 | TIP CONTACT | BRASS | Ag | 1 | |
| 3 | GROUND CONTACT | BRASS | Ag | 1 | |
| 2 | COVER | PBT | BLACK | 1 | UL94V-0 |
| 1 | HOUSING | PBT | BLACK | 1 | UL94V-0 |

| SCHEMATIC | ① | ② | ③ | ④ |
|-----------|-------------------|-------------------|-------------------|-------------------|
| | | | | |
| PART # | PJ350-06-A007-V05 | PJ350-06-A007-V04 | PJ350-06-A007-V3A | PJ350-06-A007-V3B |

Bestcreate Technology Limited

TOLERANCES UNLESS OTHERWISE SPECIFIED:

| | | | |
|------|--------|-------|------|
| .X | ± 0.30 | X.* | ± 5* |
| .XX | ± 0.20 | .X.* | ± 3* |
| .XXX | ± 0.10 | .XX.* | ± 1* |

Website: www.bsc-elec.com
Email: bestcreate@bsc-elec.com

DESIGN: I. L. DATE: 2017. 3. 1
CHECKED: C. W. DATE: 2017. 3. 1
APPROVED: C. W. DATE: 2017. 3. 1

TITLE: 3.5mm PHONE JACK CONNECTO VERTICAL 5P

MATERILA: FINSH: DWG NO: PJ350-05-A007-VXX
PART NO: PJ350-05-A007-VXX
SIZE: A4

REV: A UNIT mm SCALE 1=1 QUALITY SYMBOLS