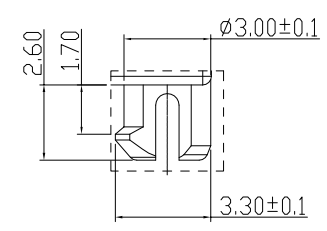
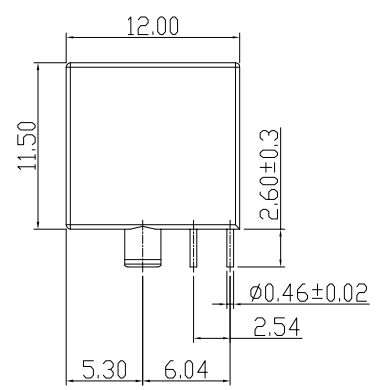
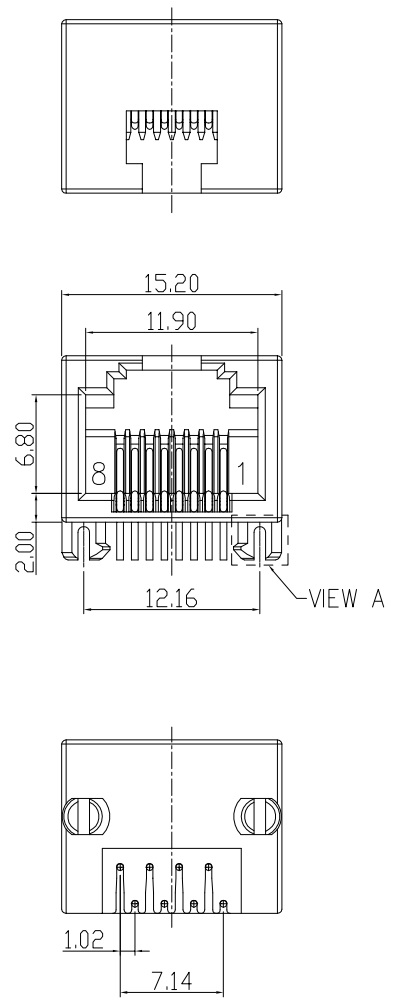


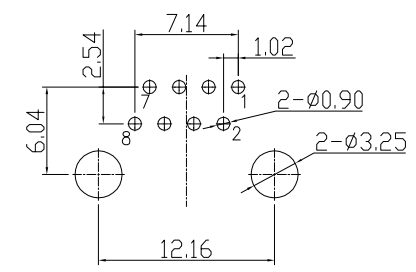
RoHS Compliant

REVISIONS			
REV.	DESCRIPTION	DATE	DESIGN

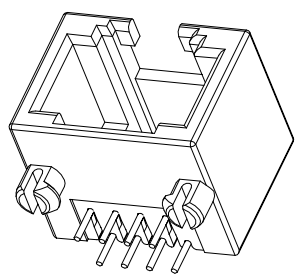
SPECIFICATION
 1. VOLTAGE RATING: 150 VAC RMS.
 2. CURRENT RATING: 1.5 AMP
 3. CONTACT RESISTANCE: 40 mΩ MAX
 4. INSULATION RESISTANCE: 500MΩ MIN.
 5. WITHSTAND VOLTAGE: AC1000V RMS 60s.
 6. OPERATING TEMPERATURE: -40°C~+80°C



VIEW A
SCALE 2:1



Recommend PCB Layout
 (Jack Top View)
 Tolerance: ±0.05mm
 Recommend PCB Thickness: 1.6mm



PART NO. INFORMATION

RJ01- X 5 0 X - 010

CONTACT PLATED
 1: G/F 2: AU 3U"
 3: AU 5U" 4: AU 10U"
 5: AU 15U" 6: AU 30U"
 PACKAGE
 R: TAPE REEL
 T: TRAY

b	TERMINAL	8	PHOSPHOR BRONZE 0.46mm	G/F
a	HOUSING	1	PBT UL94V-0	SEE TABLE 1
NO.	PART NAME	Q'TY	MATERIAL	PLATING & COLOR

Bestcreate Technology Limited			TOLERANCES UNLESS OTHERWISE SPECIFIED:		DESIGN: I.L	DATE: 2017.3.1	TITLE: MINI RJ45 8P8C CONNECTOR R/A	
			.X ± 0.30	.X' ± 3"	CHECKED: C.W	DATE: 2017.3.1	MATERIAL:	PART NO: RJ01-X50X-010
REV: A	UNIT: mm	SCALE: 1=1	QUALITY SYMBOLS	Website: www.bsc-elec.com	APPROVED: C.W	DATE: 2017.3.1	FINISH:	DWG NO: RJ01-X50X-010
				Email: bestcreate@bsc-elec.com				