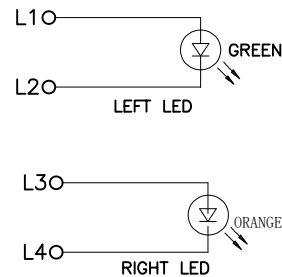
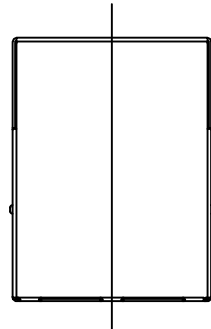
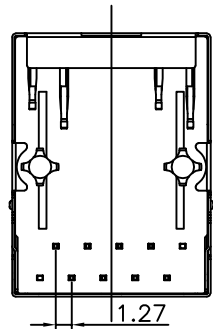
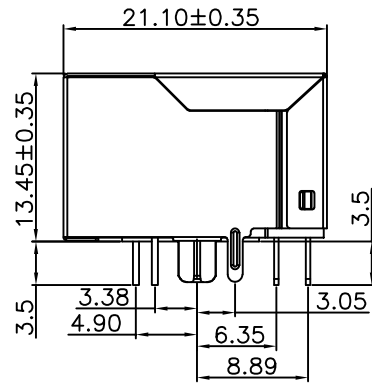
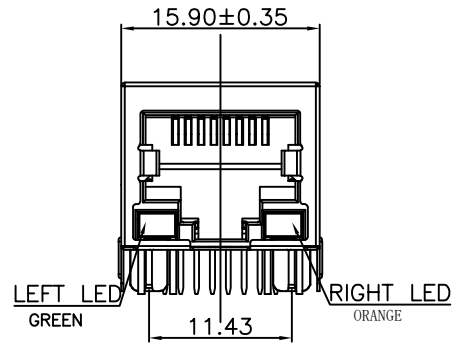


RoHS Compliant

REVISIONS			
REV.	DESCRIPTION	DATE	DESIGN

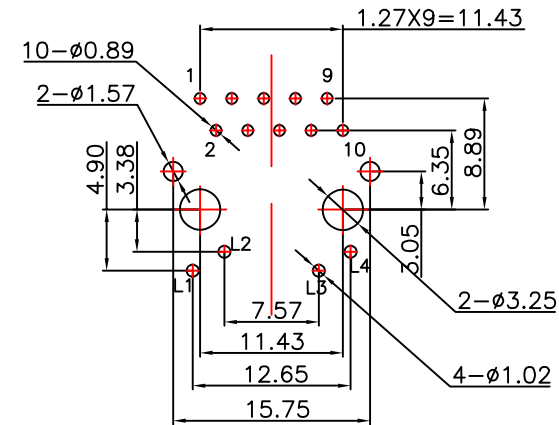


1. Material:

- 1.1 Housing: PBT UL94V-0 Black.
Insert: PBT UL94V-0 Black.
- 1.2 Shell: 30u" Ni Over Brass(C2680),T=0.20mm.
- 1.3 RJ45 Terminal:Phosphor Bronze(C5191) T=0.35mm
Plating:6u" Gold Plated On Contact Area,
80u" ~120u" Tin Plated On Solder Area,
50u" ~80u" Ni Underplated Overall.
- 1.4 Tail Terminal: Brass(C2680) T=0.35mm,
Plating: 80u" ~120u" Tin Plated Over,
30u" ~50u" Ni Underplated Overall.

2.Environmental requirements:

- 2.1 Lead-free process,compliant RoHS.



Suggested PCB Layout(Top View)
(Tolerance:±0.05)

Emitting Color	λ_p (nm)	$V_f @ I_f=20mA$
Green	565	1.8-2.5V
ORANGE	585	1.8-2.8V

PART NO. INFORMATION **RJ01- X 3 B X - 196**

CONTACT PLATED

- 1: G/F 2: AU 30"
- 3: AU 6U" 4: AU 10U"
- 5: AU 15U" 6: AU 30U"

LED COLOR
3.L-GREEN R-ORANGE

PACKAGE
R: TAPE REEL
T: TRAY

HOUSING
B:LCP BLACK

Bestcreate Technology Limited

TOLERANCES UNLESS OTHERWISE SPECIFIED:

.X	± 0.35	X.	± 3'
.XX	± 0.25	.X.	± 2'
.XXX	± 0.15	.XX.	± 1'

Website:www.bsc-elec.com
Email:bestcreate@bsc-elec.com

DESIGN: I. L DATE: 2017. 3. 1

CHECKED: C. W DATE: 2017. 3. 1

APPROVED: C. W DATE: 2017. 3. 1

TITLE: 5921 1X1 RJ45 FEMALE CONNECTOR DIP B3.05 1000Mbps

MATERILA: PART NO: RJ01-X3BX-196 SIZE: A4

FINISH: DWG NO: RJ01-X3BX-196 1 OF 2

REV:	UNIT	SCALE	QUALITY SYMBOLS
A	mm	1=1	

