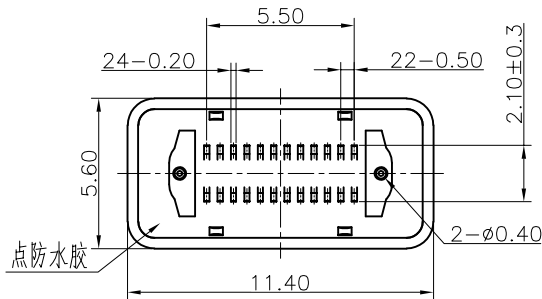
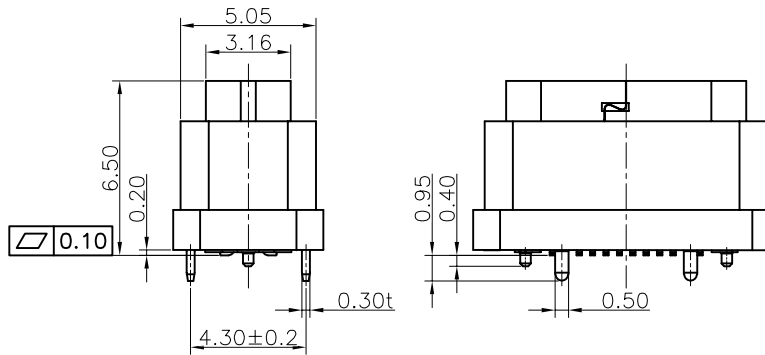
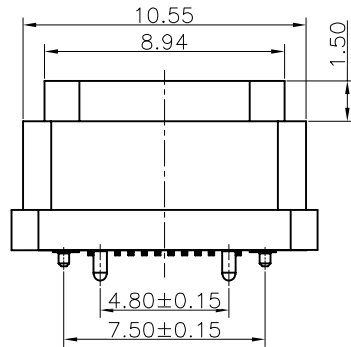
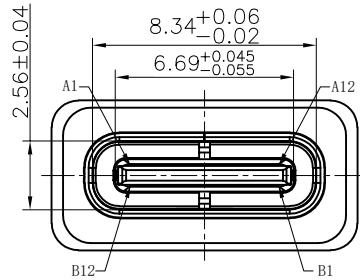


RoHS Compliant



PART NO. INFORMATION

U06-C F X X 5 R - W124

- PORT TYPE: C: TYPE C
- GENDER: F: FEMALE, M: MALE
- CONTACT PLATED: 1: GOLD FLASH, 2: GOLD 3U'', 3: GOLD 5U'', 4: GOLD 10U'', 5: GOLD 15U'', 6: GOLD 30U''
- PACKAGE: R: TAPE REEL
- HOUSING COLOR: 2: WHITE, 5: BLACK, 9: NATURE
- HOUSING MATERIAL: A: LCP, B: PBT, C: PA9T, D: PA6T, E: PA46, F: PA66

REVISIONS

REV.	DESCRIPTION	DATE	DESIGN

NOTE:

1. MECHANICAL PERFORMANCE:
 - 1-1. INSERTION FORCE: 0.5~2.0kgf.
 - 1-2. EXTRACTION FORCE: 0.8kgf~2.0kgf. 0.6kgf~2.0kgf. AFTER DURABILITY TEST.
 - 1-3. DURABILITY: 10000 CYCLES.
2. ELECTRICAL PERFORMANCE:
 - 2-1. CURRENT RATING: 5.0A VOLTAGE RATING: 20V
 - 2-2. LLCR: VBUS & GND PINS AND OTHER PINS: 40mΩ/PIN MAX. SHIELD: 50mΩ/MAX. LLCR MAX. CHANGE OF ALL PINS: 10mΩ.
 - 2-3. INSULATION RESISTANCE: 100MΩ MIN
 - 2-4. DIELECTRIC WITHSTAND VOLTAGE, AC 100V FOR 1 MINUTE.
3. ENVIRONMENTAL PERFORMANCE: OPERATING TEMPERATURE: -25°C~+85°C.
4. IR REFLOW: THE PEAK TEMPERATURE ON THE BOARD SHALL BE MAINTAINED FOR 10 SECONDS AT 260°C.
5. 符合ROHS&HF要求.
6. SALT SPRAY TEST REQUIRES 48H

TABLE:

NO	PART	Q'TY	Material
1	SHELL	1	STAINLESS STEEL 304, NI 30u'' MIN PLATED
2	EMI Plate	1	STAINIESS STEEL 301, NI 30u'' MIN PLATED
3	Mid Plate	1	STAINIESS STEEL 301, NO PLATED
4	CONTACT	24	COPPER STEEL C18400,接触镀金3u'' 焊接区G/F, 镍底50u'' Min
5	1MD HOUSING	1	LCP BLACK UL94 V-0
6	2MD HOUSING	1	LCP BLACK UL94 V-0
7	PLASTIC SHELL	1	NYLON BLACK UL94 V-0
8	CAP	1	LCP BLACK UL94 V-0
9	防水胶	-	硅胶

Bestcreate Technology Limited

TOLERANCES UNLESS OTHERWISE SPECIFIED:

.X	± 0.30	X.*	± 5'
.XX	± 0.20	.X.*	± 2'
.XXX	± 0.15	.XX.*	± 1'

Website: www.bsc-elec.com

Email: bestcreate@bsc-elec.com

DESIGN: I. L DATE:

CHECKED: C. W DATE:

APPROVED: C. W DATE:

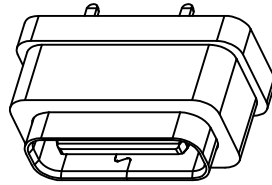
TITLE: IPX7 WATERPROOF 24P USB C FEMALE CONNECTOR VERTICAL SMT, H=6.5MM

MATERILA: FINSH: PART NO: U06-CFXX5R-W124 SIZE: A4

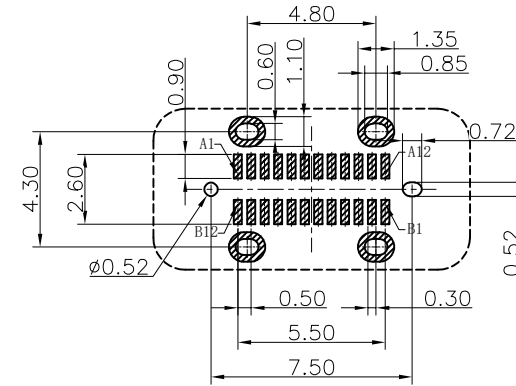
DWG NO: U06-CFXX5R-W124 3 OF 3

REV: A UNIT mm SCALE 1=1 QUALITY SYMBOLS

RoHS Compliant

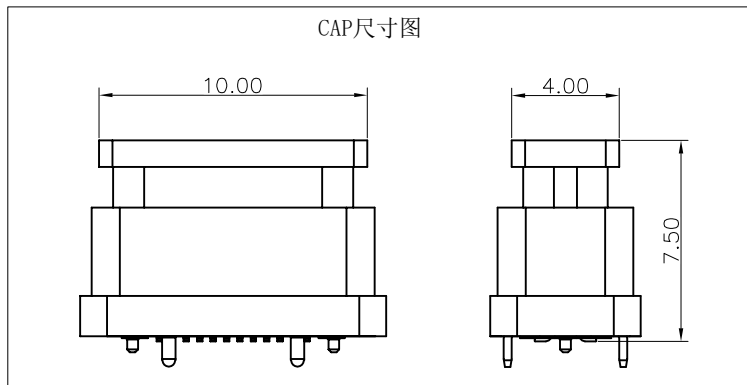


REVISIONS			
REV.	DESCRIPTION	DATE	DESIGN



RECOMMEND P.C.B LAYOUT (COMPONENT SIDE)
TOLERANCE FOR PCB LAYOUT IS ± 0.05

CAP尺寸图



PIN DEFINITION:

A1	A2	A3	A4	A5	A6	A7	A8	A9	A10	A11	A12
GND	TX1+	TX1-	VBus	CC1	D+	D-	SBU1	VBus	RX2-	RX2+	GND
GND	RX1+	RX1-	VBus	SBU2	D-	D+	CC2	VBus	TX2-	TX2+	GND
B12	B11	B10	B9	B8	B7	B6	B5	B4	B3	B2	B1

Bestcreate Technology Limited

TOLERANCES UNLESS OTHERWISE SPECIFIED:

.X	± 0.30	X'	$\pm 5'$
.XX	± 0.20	.X'	$\pm 2'$
.XXX	± 0.15	.XX'	$\pm 1'$

DESIGN:
I. L

DATE:

CHECKED:
C. W

DATE:

APPROVED:
C. W

DATE:

TITLE:

IPX7 WATERPROOF 24P USB C FEMALE
CONNECTOR VERTICAL SMT, H=6.5MM

MATERILA:

PART NO:
U06-CFXX5R-W124

SIZE:
A4

FINSH:

DWG NO:
U06-CFXX5R-W124

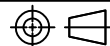
2 OF 3

REV:
A

UNIT
mm

SCALE
1=1

QUALITY
SYMBOLS



Website: www.bsc-elec.com

Email: bestcreate@bsc-elec.com

1

2

3

4

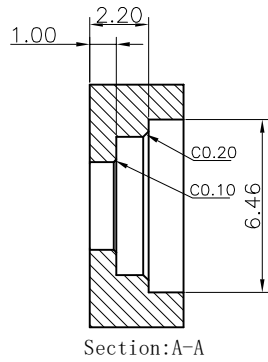
5

6

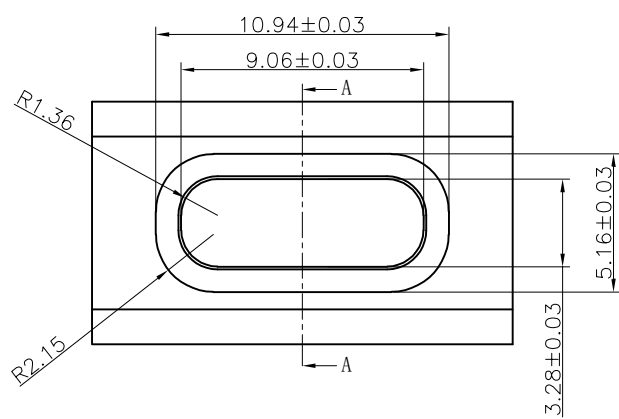
7

8

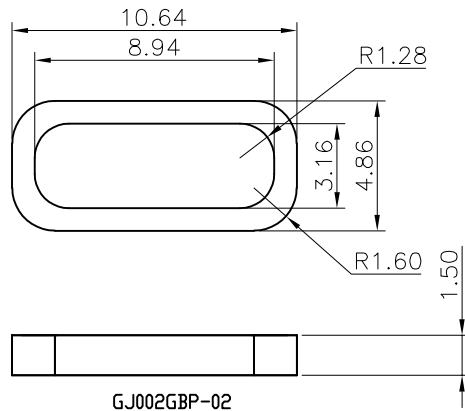
RoHS Compliant



机壳开孔尺寸图



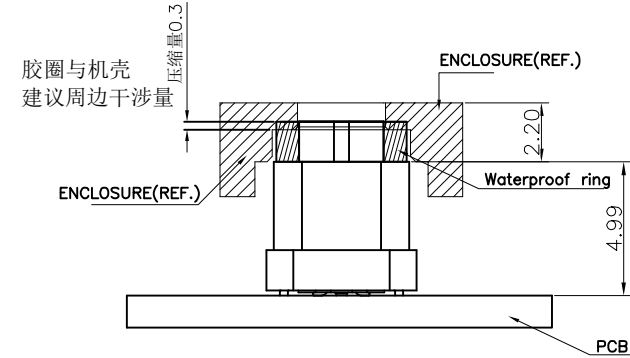
防水圈尺寸图



备注:

1. 材质: 硅胶黑色无卤, 耐高温270度, 硬度60+/-5 UL94V-2
2. 不可缺胶, 变形, 毛边, 脏污。

REVISIONS			
REV.	DESCRIPTION	DATE	DESIGN



RECOMMENDED SCHEMATIC DRAWING OF CONNECTOR MATCH CHASSIS

Bestcreate Technology Limited

TOLERANCES UNLESS OTHERWISE SPECIFIED:

.X	± 0.30	X.*	± 5'
.XX	± 0.20	.X*	± 2'
.XXX	± 0.15	.XX*	± 1'

Website: www.bsc-elec.com
Email: bestcreate@bsc-elec.com

DESIGN: I. L
DATE:

CHECKED: C. W
DATE:

APPROVED: C. W
DATE:

TITLE: IPX7 WATERPROOF 24P USB C FEMALE CONNECTOR VERTICAL SMT, H=6.5MM

MATERIAL: PART NO: U06-CFXX5R-W124 SIZE: A4

FINISH: DWG NO: U06-CFXX5R-W124 3 OF 3

REV: A UNIT mm SCALE 1=1 QUALITY SYMBOLS